

Hardware for Professionals

hepo

hepo

Catalogue cum Price List
effective December 2021

Index

Furniture Fittings	Page No.
Hinges	
Auto Closing Slide-on Regular Hinges	3
Auto Closing Slide-on Soft Close Hinges	4
Auto Closing Clip-on Soft Close Hinges	5
Flap Hinges	6
Butt Hinges	7-8
Drawer Slides	
Telescopic Channel (Regular)	9-10
Telescopic Channel (Silent)	11
Furniture Locks	12-13
Bi-Fold Lift-Up	14
Gas Spring	15
Aluminum Profiles	16
Handles	17-18
Tower Bolt	19
Bed Fittings	20-21
Bathroom Accessories	22-25
Connecting Fittings	26-33

Screws	Page No.
Stainless Steel Screws	37
Carbon Steel Screws	38-39
Black Screws	40
Accessories	41



Furniture Fittings



Reliable Concealed Hinges: **Auto Closing Slide-on Regular, Slide-on Soft Close & Clip-on Soft Close Hinges.** Tested & Certified for 20000 cycles & EN 15570 Level 1 certified.



Heavy Duty Drawer Runners: **Hepo Telescopic Drawer Runners** With Options for Zinc Coated and Black Painted Tested & Certified for 40,000 cycles.



Durable **Gas Spring for Overhead Cabinets:** Suitable for wooden or aluminum framed shutter Flap weight (including handle) carrying capacity of 3.2 kg to 35 kg. Tested & Certified for 50,000 cycles.



Butt Hinge option for **Non Bearing (Riveted)** as well as **Railway (Welded) Hinges:** High Weight carrying capacity up to 40 kg (per pair) Tested & Warranted for 2 years of functionality.

Auto Closing Slide-on Regular Hinges



Technical details:

- ▶ Concealed hinge with slide on assembly
- ▶ **Quality classification under EN 15570, Level 1**
- ▶ Tested & Certified for 20,000 Cycles
- ▶ For door thickness 14 - 25 mm
- ▶ Opening angle: 105°
- ▶ Cup diameter 35 mm
- ▶ Cup depth 11.5 mm
- ▶ Integrated overlay adjustment + 0.5 mm / - 2.5 mm
- ▶ Integrated depth adjustment + 2 mm / - 2 mm
- ▶ Height adjustment at mounting plate
- ▶ Hinge arm material: Steel, Nickel plated

Minimum Reveal Per Door

Cup Distance C	Door thickness											
	14	15	16	17	18	19	20	21	22	23	24	25
3	0.04	0.12	0.23	0.38	0.59	0.85	1.18	1.61	2.22	2.96	3.76	4.6
4	0.04	0.11	0.22	0.37	0.56	0.81	1.11	1.49	1.99	2.63	3.36	4.15
4.5	0.04	0.11	0.22	0.36	0.55	0.79	1.08	1.45	1.91	2.5	3.2	3.96
5	0.04	0.11	0.21	0.36	0.54	0.77	1.06	1.41	1.84	2.39	3.04	3.77
6	0.04	0.1	0.2	0.34	0.52	0.74	1.01	1.33	1.73	2.21	2.79	3.46
7	0.04	0.1	0.2	0.33	0.5	0.71	0.97	1.27	1.64	2.07	2.59	3.2

Auto Closing Slide-on Regular Hinges with Mounting Plate (2 hole)

Please order:

- ▶ 2 Hinges
- ▶ 2 Mounting Plates (2 Hole)



Description (Retail Packing)	Unit	Article no.	PU	MRP/Pair
Auto Closing Slide-on Regular Hinges - 0 Crank with Mounting Plate (2 hole)	Pc	9284697+9284813	100	99
Auto Closing Slide-on Regular Hinges - 9.5 Crank with Mounting Plate (2 hole)	Pc	9284698+9284813	100	104
Auto Closing Slide-on Regular Hinges - 16 Crank with Mounting Plate (2 hole)	Pc	9284809+9284813	100	109

Auto Closing Slide-on Regular Hinges with Mounting Plate (4 hole)

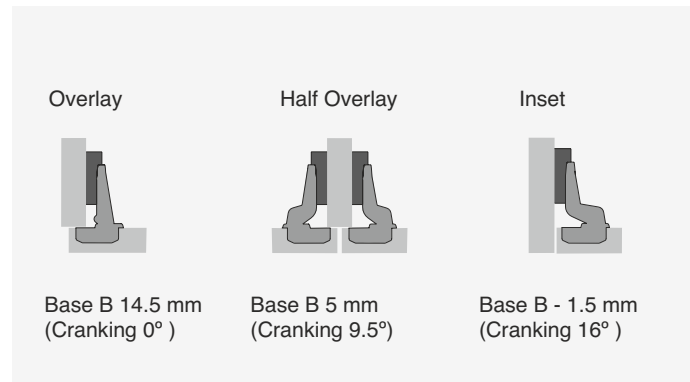
Please order:

- ▶ 2 Hinges
- ▶ 2 Mounting Plates (4 Hole)



Description (Retail Packing)	Unit	Article no.	PU	MRP/Pair
Auto Closing Slide-on Regular Hinges - 0 Crank with Mounting Plate (4 hole)	Pc	9284697+ 9284814	100	99
Auto Closing Slide-on Regular Hinges - 9.5 Crank with Mounting Plate (4 hole)	Pc	9284698+ 9284814	100	104
Auto Closing Slide-on Regular Hinges - 16 Crank with Mounting Plate (4 hole)	Pc	9284809+ 9284814	100	109

Auto Closing Slide-on Soft Close Hinges



Technical details:

- ▶ Concealed hinge with slide on assembly
- ▶ **Quality classification under EN 15570, Level 1**
- ▶ Tested & Certified for 20,000 Cycles
- ▶ For door thickness 14 - 25 mm
- ▶ Opening angle: 105°
- ▶ Cup diameter 35 mm
- ▶ Cup depth 11.5 mm
- ▶ Integrated overlay adjustment + 0.5 mm / - 2.5 mm
- ▶ Integrated depth adjustment + 2 mm / - 2 mm
- ▶ Height adjustment at mounting plate
- ▶ Hinge arm material: Steel, Nickel plated

Minimum Reveal Per Door

Cup Distance C	Door thickness											
	14	15	16	17	18	19	20	21	22	23	24	25
3	0.04	0.12	0.23	0.38	0.59	0.85	1.18	1.61	2.22	2.96	3.76	4.6
4	0.04	0.11	0.22	0.37	0.56	0.81	1.11	1.49	1.99	2.63	3.36	4.15
4.5	0.04	0.11	0.22	0.36	0.55	0.79	1.08	1.45	1.91	2.5	3.2	3.96
5	0.04	0.11	0.21	0.36	0.54	0.77	1.06	1.41	1.84	2.39	3.04	3.77
6	0.04	0.1	0.2	0.34	0.52	0.74	1.01	1.33	1.73	2.21	2.79	3.46
7	0.04	0.1	0.2	0.33	0.5	0.71	0.97	1.27	1.64	2.07	2.59	3.2

Auto Closing Slide-on Soft Close Hinges with Mounting Plate (2 hole)

Please order:

- ▶ 2 Hinges
- ▶ 2 Mounting Plates (2 Hole)



Description (Retail Packing)	Unit	Article no.	PU	MRP/Pair
Auto Closing Slide-on Soft Close Hinges - 0 Crank with mounting plate (2 hole)	Pc	9284810+9284813	100	177
Auto Closing Slide-on Soft Close Hinges - 9.5 Crank with mounting plate (2 hole)	Pc	9284811+9284813	100	182
Auto Closing Slide-on Soft Close Hinges - 16 Crank with mounting plate (2 hole)	Pc	9284812+9284813	100	187

Auto Closing Slide-on Soft Close Hinges with Mounting Plate (4 hole)

Please order:

- ▶ 2 Hinges
- ▶ 2 Mounting Plates (4 Hole)



Description (Retail Packing)	Unit	Article no.	PU	MRP/Pair
Auto Closing Slide-on Soft Close Hinges - 0 Crank with mounting plate (4 hole)	Pc	9284810+9284814	100	177
Auto Closing Slide-on Soft Close Hinges - 9.5 Crank with mounting plate (4 hole)	Pc	9284811+9284814	100	182
Auto Closing Slide-on Soft Close Hinges - 16 Crank with mounting plate (4 hole)	Pc	9284812+9284814	100	187

Auto Closing Clip-on Soft Close Hinges



Technical details:

- ▶ Concealed hinge with Clip on assembly
- ▶ **Quality Classification under EN 15570, Level 1**
- ▶ Tested for 20,000 functional cycles
- ▶ Available with integrated soft closing option
- ▶ For door thickness: 16- 24 mm
- ▶ Open angle: up to 105 °
- ▶ Cup diameter: 35 mm
- ▶ Cup depth: 11.5 mm
- ▶ Mounting plate available with 2 hole, 4 hole & Eccentric screw
- ▶ Material: Steel Nickel plated

C-value	Door Thickness									
	B	16	17	18	19	20	21	22	23	24
3		0.4	0.6	0.8	1.2	1.6	2.2	2.9	3.7	4.6
4		0.4	0.6	0.8	1.1	1.5	2.0	2.6	3.3	4.1
5		0.4	0.6	0.8	1.1	1.4	1.8	2.4	3.0	3.8
6		0.4	0.5	0.7	1.0	1.3	1.7	2.2	2.8	3.5
7		0.3	0.5	0.7	1.0	1.3	1.6	2.1	2.6	3.2

Auto Closing Clip-on Soft Close Hinges with Mounting Plate (2 Hole)



Description (Retail Packing)	Unit	Article no.	PU	MRP/ Pair
Clip on Silent Hinges - 0 Crank - with Damper, Mounting Plate	Pc	9290745+9290750	100	233
Clip on Silent Hinges - 9.5 Crank - with Damper, Mounting Plate	Pc	9290746+9290750	100	239
Clip on Silent Hinges - 16 Crank - with Damper, Mounting Plate	Pc	9290747+9290750	100	245

Auto Closing Clip-on Soft Close Hinges with Mounting Plate (4 Hole)



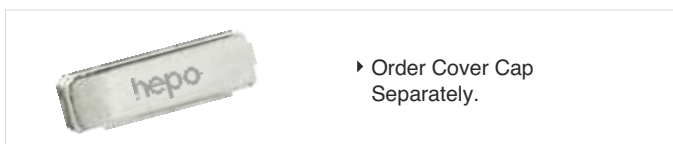
Description (Retail Packing)	Unit	Article no.	PU	MRP/ Pair
Clip on Silent Hinges - 0 Crank - with Damper, Mounting Plate	Pc	9290745+9290751	100	233
Clip on Silent Hinges - 9.5 Crank - with Damper, Mounting Plate	Pc	9290746+9290751	100	239
Clip on Silent Hinges - 16 Crank - with Damper, Mounting Plate	Pc	9290747+9290751	100	245

Auto Closing Clip-on Soft Close Hinges with Mounting Plate (Eccentric)



Description (Retail Packing)	Unit	Article no.	PU	MRP/ Pair
Clip on Hinge - 0 Crank - with Damper, Mounting Plate	Pc	9290745+9290752	100	270
Clip on Hinge - 9.5 Crank - with Damper, Mounting Plate	Pc	9290746+9290752	100	276
Clip on Hinge - 16 Crank - with Damper, Mounting Plate	Pc	9290747+9290752	100	282

Cover Cap



Product Description	Unit	Article no.	PU	MRP/Pc
Arm coverfor 0 Crank with hepo logo	Pc	9294814	100	5
Arm coverfor 9.5 / 16 Crank with hepo logo	Pc	9294815	100	5

Flap Hinges



- ▶ Flap hinge for overlay flaps
- ▶ Separate installation of bottom panel and flap element
- ▶ Flap alignment through adjustment of height, sides and depth
- ▶ Same drilling sizes in bottom panel and flap elements
- ▶ Hole drilling concealed by rim on both parts
- ▶ Bottom panel and flap are flush on the inside when opened without adjusting height
- ▶ Can only be used in conjunction with flap stays
- ▶ Material Used: Zinc Alloy, nickel plated

Set Includes: 1 Flap Hinge with 6 Screws(M3*15)

Flap thickness TD MM	Minimum Reveal SF MM
16	1.0
17	2.0
18	3.0
19	3.5

Description	Unit	Article No.	PU	MRP/Pc
Hepo Flap Hinge	Pc	9297879	200	208



Hepo Butt Hinges

Riveted Type

Stainless Steel Riveted Type



Features:

- ▶ Loading Capacity up to 40 kg / pair
- ▶ DIN Left / Right Usable
- ▶ Mostly preferred for Steel / wood & Aluminum profile doors
- ▶ Area of application: Light Main and Internal doors
- ▶ Warranty : 2 years

Technical details:

- ▶ Ø Barrel diameter: 12 mm
- ▶ Leaf thickness: 2.5 mm
- ▶ Milling for doors: 2 / 2.5 mm
- ▶ Available Sizes: 3"x2"x2 mm / 4"x3"x2.5 mm / 5"x3"x2.5 mm
- ▶ Base Material: Stainless Steel
- ▶ Edge: Square
- ▶ Finish Available: Stainless Steel Satin

S.No.	Description	Size mm (inch)	Unit	Article No.	PU	MRP / Pair
1	SS 76x50x2 mm (3"x2"x2 mm) (Hole Pattern: C)		Pair	9268550	01	265
2	SS 102x76x2.5 mm (4"x3"x2.5 mm) (Hole Pattern: Z)		Pair	9268395	01	373
3	SS 127x76x2.5 mm (5"x3"x2.5 mm) (Hole Pattern: Z)		Pair	9268396	01	435

Recommended Stainless Steel Screws:



S.No.	Description	Size mm (inch)	Unit	Article No.	PU	MRP / Pc
1	SS screw CSK PZ2 5.0X30mm		Pc	9277146	500	3.78
2	SS screw CSK PZ2 5.0X40mm		Pc	9277147	400	4.82

Butt Hinges

Welded Type

hepo



Stainless Steel Welded Type (Railway Hinges)



Features:

- ▶ Recommended for wooden / aluminium / framed doors.
- ▶ Area of application: Main & Internal doors of an apartment / building
- ▶ Weight capacity: 40 Kg/Pair
- ▶ Warranty : 2 years

Technical details:

- ▶ Leaf Thickness - 1.7 / 2 / 2.5 mm
- ▶ Edge - Square Edge
- ▶ Pin Dia - 4 & 5.6 mm
- ▶ DIN Leaf/Right Usage
- ▶ Available Sizes - 3x14 / 4x14 / 5x14 / 3x12 / 4x12 / 5x12
- ▶ Finish Available - SS Satin
- ▶ No. of Holes - 6/8

S.No.	Description	Size mm (inch)	Unit	Article No.	PU	MRP/ Pair
1	Butt Hinge SS	75x48x2 mm (3"x2"x2 mm) (3x14)	Pair	9278616	20	135
2	Butt Hinge SS	100x58x2 mm (4"x2.5"x2 mm) (4x14)	Pair	9278617	12	215
3	Butt Hinge SS	125x64x2 mm (5"x2.5"x2 mm) (5x14)	Pair	9278618	10	280
4	Butt Hinge SS	75x50x2.5 mm (3"x2"x2.5 mm) (3x12)	Pair	9278619	20	165
5	Butt Hinge SS	100x60x2.5 mm (4"x2.3"x2.5 mm) (4x12)	Pair	9278620	12	250
6	Butt Hinge SS	125x67x2.5 mm (5"x2.6"x2.5 mm) (5x12)	Pair	9278621	10	330

Recommended Stainless Steel Screws:



S.No.	Description	Size mm (inch)	Unit	Article No.	PU	MRP / Pc
1	SS screw CSK PZ2	5.0X30mm	Pc	9277146	500	3.78
2	SS screw CSK PZ2	5.0X40mm	Pc	9277147	400	4.82

Hepo Telescopic Channel (Regular)

Heavy Duty Drawer Runners



Telescopic Channel (Regular) - Zinc / Black



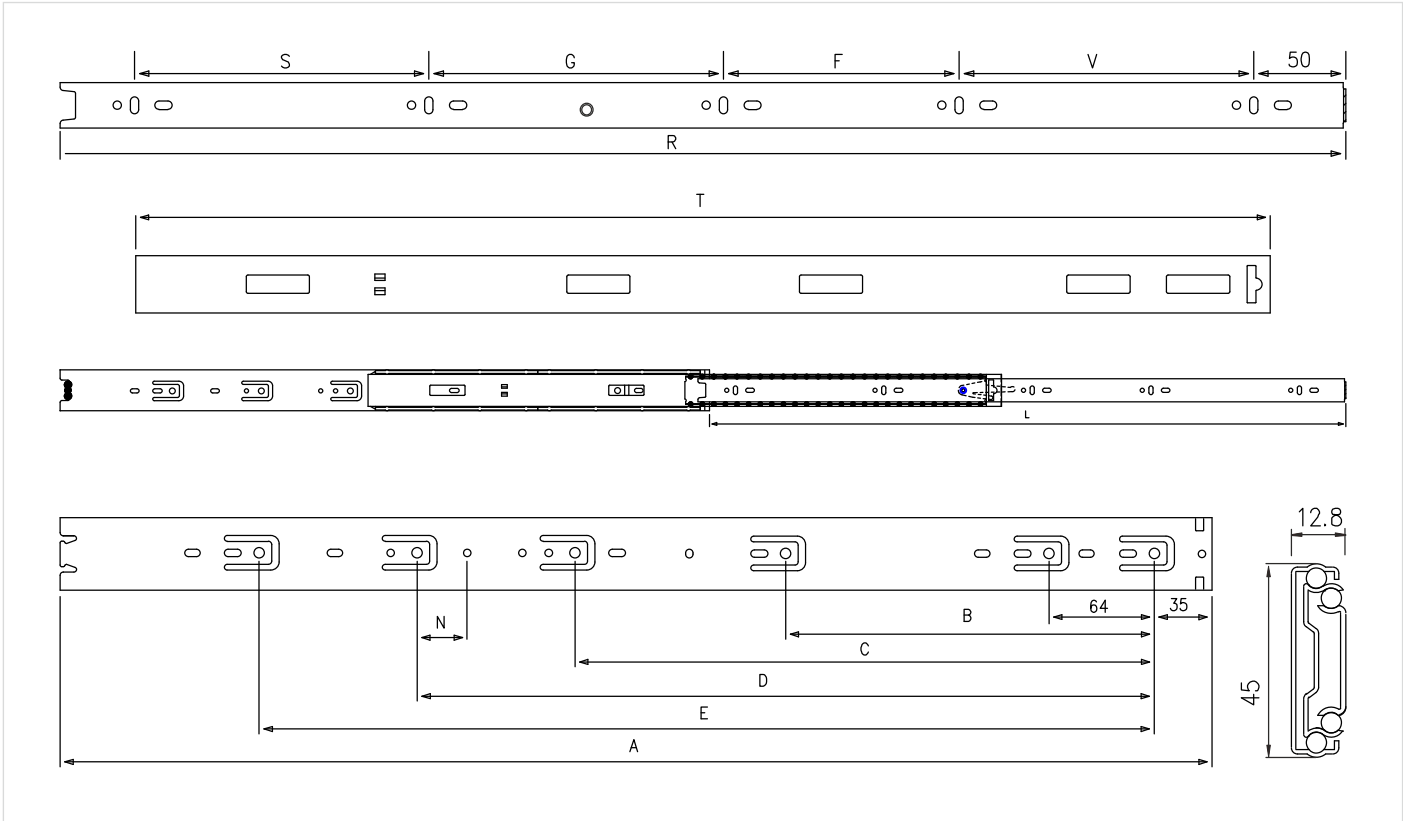
Technical details:

- ▶ Full extension normal closing ball bearing runner
- ▶ Better designed tracks creates ease of operation & better dynamic load behaviour
- ▶ Installation width required: 12.8 mm
- ▶ Available channel height: 45 mm
- ▶ Available channel length: 250 mm – 550 mm
- ▶ Guaranteed up to 40,000 functional cycles
- ▶ Quality classification: EN 15570, Level 1
- ▶ Material used: Steel
- ▶ Finish: Zinc plated / Black

Description		Size	Unit	Article no	PU	MRP / Pair
Hepo Regular Telescopic channel - Zinc		10"- 250 mm	Pair	9298666	10	369
Hepo Regular Telescopic channel - Zinc		12"- 300 mm	Pair	9298668	10	409
Hepo Regular Telescopic channel - Zinc		14"- 350 mm	Pair	9298669	10	449
Hepo Regular Telescopic channel - Zinc		16"- 400 mm	Pair	9298670	10	489
Hepo Regular Telescopic channel - Zinc		18"- 450 mm	Pair	9298701	10	549
Hepo Regular Telescopic channel - Zinc		20"- 500 mm	Pair	9298702	10	599
Hepo Regular Telescopic channel - Zinc		22"- 550 mm	Pair	9298703	10	669

Description		Size	Unit	Article no	PU	MRP / Pair
Hepo Regular Telescopic channel - Black		10"- 250 mm	Pair	9300364	10	369
Hepo Regular Telescopic channel - Black		12"- 300 mm	Pair	9300365	10	409
Hepo Regular Telescopic channel - Black		14"- 350 mm	Pair	9300366	10	449
Hepo Regular Telescopic channel - Black		16"- 400 mm	Pair	9300367	10	489
Hepo Regular Telescopic channel - Black		18"- 450 mm	Pair	9300368	10	549
Hepo Regular Telescopic channel - Black		20"- 500 mm	Pair	9300369	10	599
Hepo Regular Telescopic channel - Black		22"- 550 mm	Pair	9300370	10	669

Drilling Pattern



Length	(Hole Pattern)												
	A	B	C	D	N	E	T	V	F	G	S	R	L
250	250	160	/	/	/	/	233	169	/	/	/	248	250
300	300	224	/	/	/	/	283	96	128	/	/	298	300
350	350	/	/	224	30.4	/	333	128	128	/	/	348	350
400	400	/	224	288	/	/	383	128	192	/	/	398	400
450	450	224	352	/	/	/	433	160	192	/	/	448	450
500	500	224	352	/	/	/	483	192	224	/	/	498	500
550	550	224	352	416	/	/	533	224	224	/	/	548	550
600	600	224	352	480	/	/	583	224	288	/	/	598	600

Hepo Telescopic Channel (Silent)

Heavy Duty Drawer Runners with Silent System



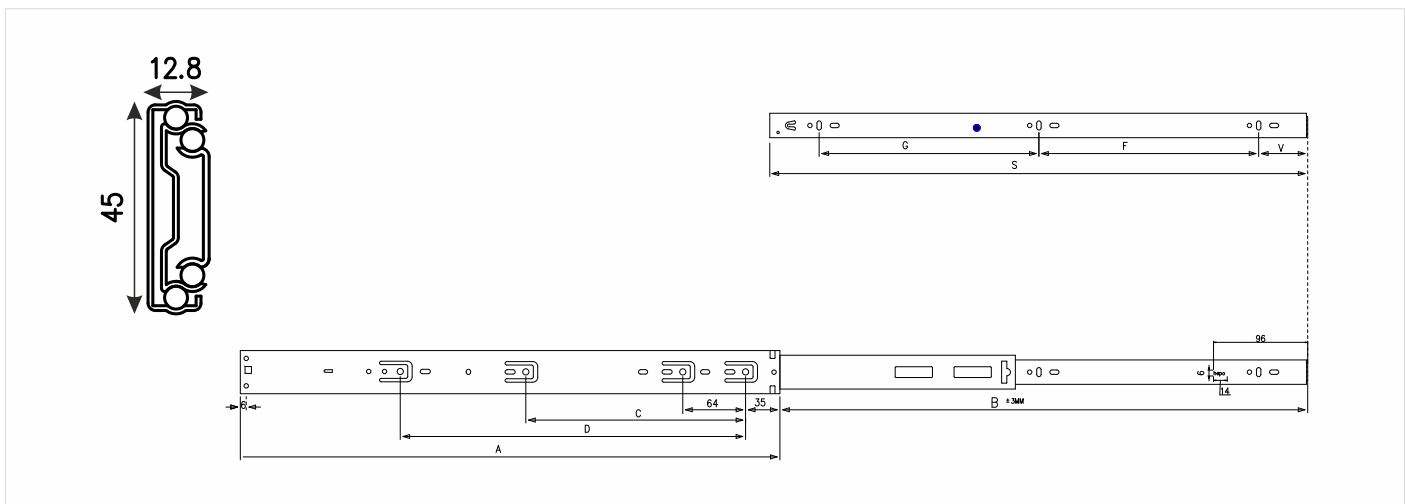
Telescopic Channel (Silent)



Features:

- ▶ Full extension ball bearing drawer slide with Silent System
- ▶ Installation width required: 12.8 mm
- ▶ Available channel height: 45 mm
- ▶ Available channel length: 300 - 550 mm
- ▶ Finish: Zinc plated
- ▶ Guaranteed up to 40,000 functional cycles

Drilling Pattern



Length	(Hole pattern)							
	A	B	C	D	V	F	G	S
300	300	300			50	96	96	283
350	350	350		160	50	128	96	333
400	400	400		224	50	128	160	383
450	450	450	224		50	160	160	433
500	500	500	224	320	50	160	224	483

Description	Size	Unit	Article no	PU	MRP / Pair
Hepo Telescopic Channel with silent system / Zinc	300 mm	Pair	9293951	10	759
Hepo Telescopic Channel with silent system / Zinc	350 mm	Pair	9293903	10	819
Hepo Telescopic Channel with silent system / Zinc	400 mm	Pair	9293904	10	879
Hepo Telescopic Channel with silent system / Zinc	450 mm	Pair	9293905	10	939
Hepo Telescopic Channel with silent system / Zinc	500 mm	Pair	9293906	10	999
Hepo Telescopic Channel with silent system / Zinc	550 mm	Pair	9295964	10	1,149

Furniture Locks

Economic Multipurpose Locks

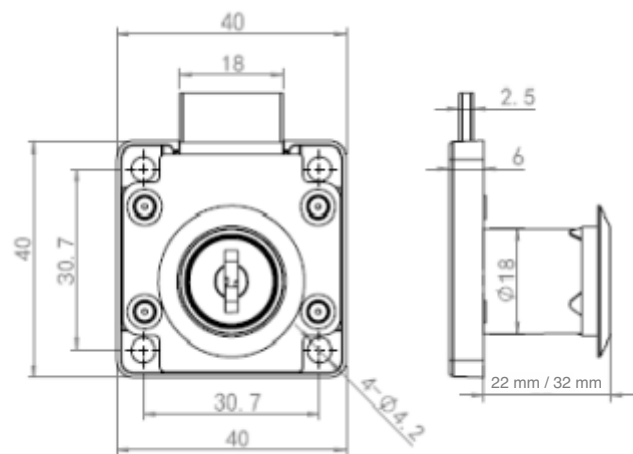


Economic Multipurpose Locks

Multipurpose locks throw a bolt / tongue out allowing the door to be locked when closed. This locks can be used in a number of applications particularly in any cabinet & drawer construction. It can secure the cabinet door and requires a key for the cabinet to be opened. These locks are ideal for office environments as they allow to lock private & confidential papers securely. In addition to this, they are also suitable for homes & can keep valuables, private & confidential papers or snacks locked securely in your cupboard out of reach of young children!

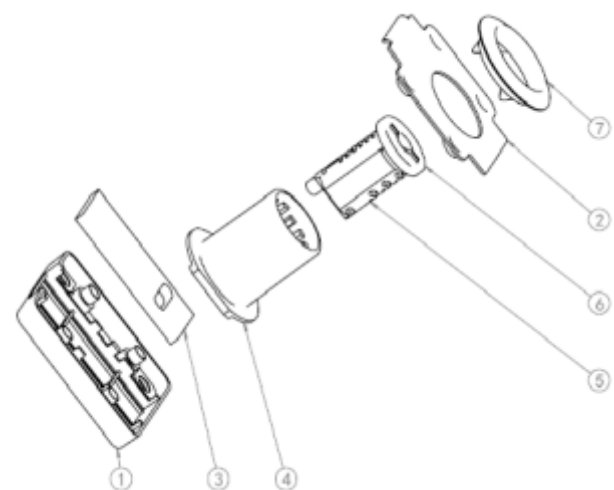
Technical details:

- ▶ Adjustable for left/right-hand operation
- ▶ Available for 22 mm / 32 mm panel thickness
- ▶ Complete with rosette
- ▶ Available with max. 120 Key Combinations
- ▶ Available with 2 iron keys
- ▶ Tested for 30000 functional cycles
- ▶ Material: Zinc & Steel



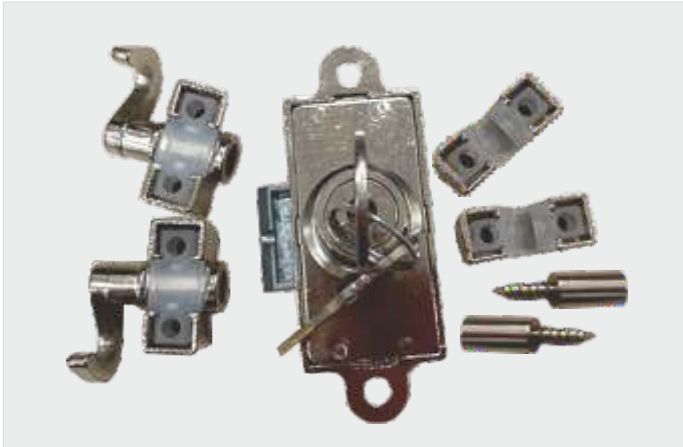
Set Comprises

Sr No:	Description	Quantity
1	Based Cover	1
2	Front Cover	1
3	Bolt	1
4	Cylinder Cover	1
5	Cylinder	1
6	Cylinder Front Cover	1
7	Ring	1



Description	Unit	Article no	PU	MRP/ PC
Economic MP Lock 120 KC, 22 mm	Pc	9287295	120	127
Economic MP Lock 120 KC, 32 mm	Pc	9291595	120	148

Espagnolette Locks



Technical details:

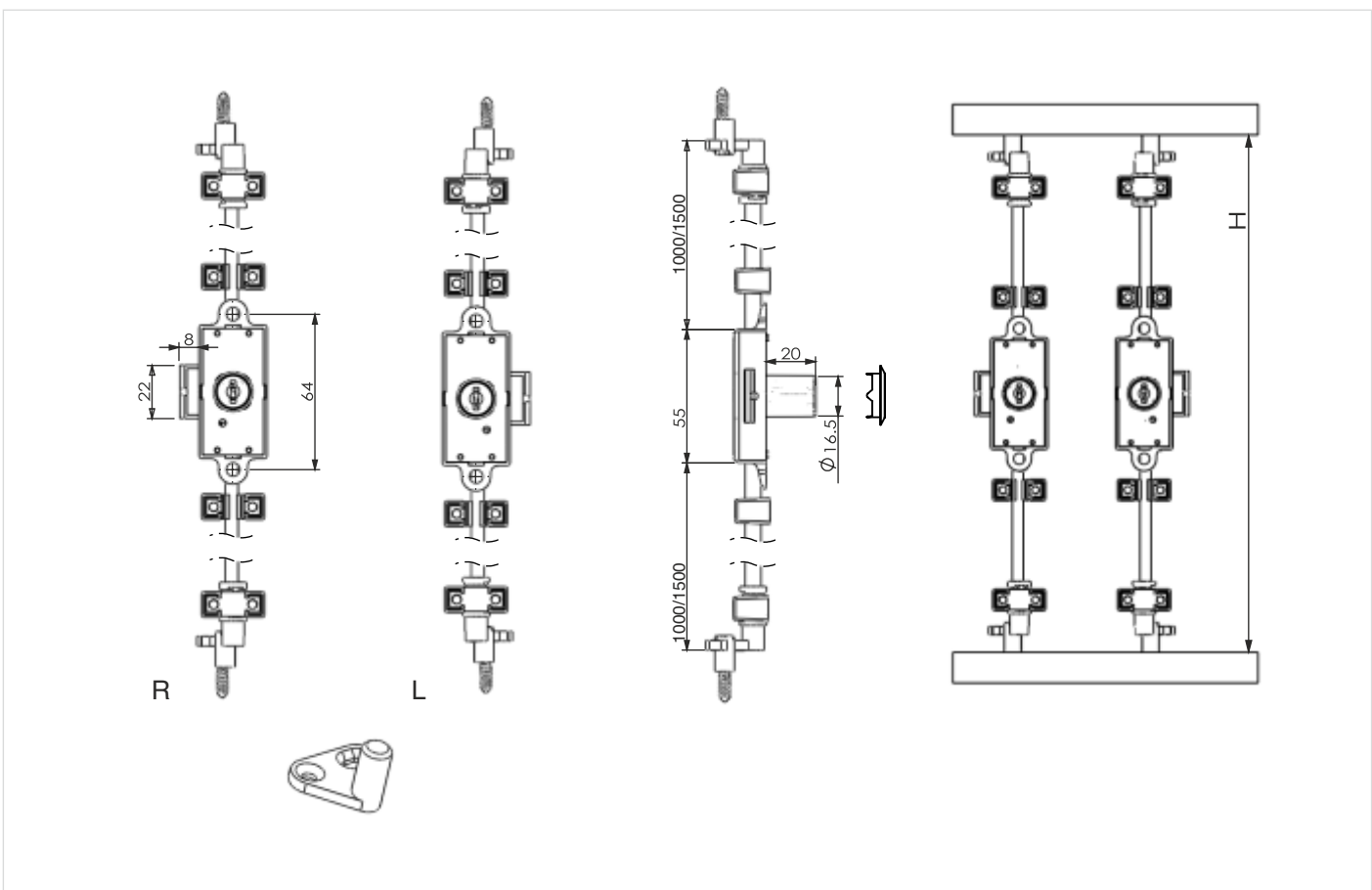
- ▶ Three-way locking system for cabinet doors
- ▶ Usable for both left & right
- ▶ Used for 20 mm door thickness
- ▶ Available with rosette
- ▶ Barrel dia.: 16.5 mm
- ▶ Available rod length: 1000 mm & 1500 mm

Set contains:

- ▶ 1 espagnolette lock, for left / right -hand operation
- ▶ 1 rosette
- ▶ 1 pair of locking hooks, left / right
- ▶ 2 rod saddles
- ▶ 2 stop pin
- ▶ 2 keys

Note: Order rods as per cabinet height

Installation Diagram



Product description	Unit	Article no.	PU	MRP/Unit
Espagnolette Lock D16/20	Set	9299249	10	565
Espagnolette Lock Rod 6/5 1m Nickel	Pc	9299283	10	200
Espagnolette Lock Rod 6/5 1.5m Nickel	Pc	9299284	10	325

Gas Spring

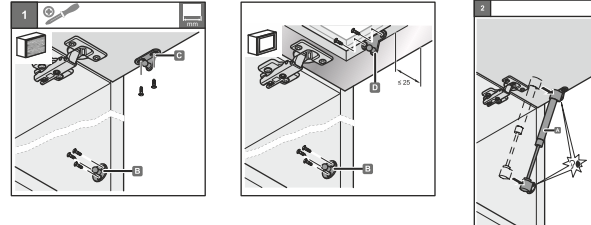
Guaranteed for 50,000 cycles



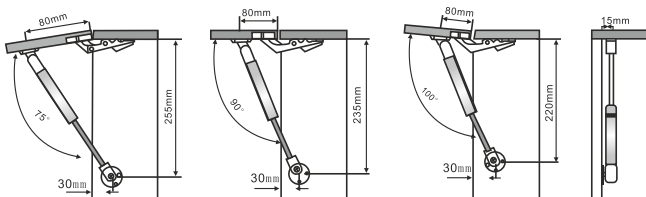
Gas Spring



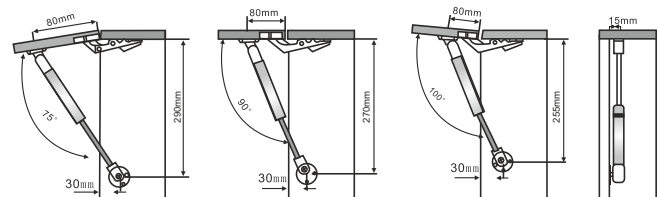
- ▶ Suitable for wooden or aluminum framed shutter
- ▶ Needs auto-closing hinges fitted in the shutter for operation
- ▶ Flap weight (including handle) carrying capacity: 3.2 Kg to 35 kg
- ▶ Spring force : 80N-350N
- ▶ Gas Spring dimension : 9 inch (270 mm) / 12 inch (301 mm)
- ▶ Performance temperature range of +45°C to -25°C
- ▶ Tested for 50,000 cycles by SGS, Switzerland



Gas Spring dimension : 9 inch (270 mm)



Gas Spring dimension : 12 inch (301 mm)



Maximum Door Weight

(kg) \ (mm)	75°				90°				100°			
	300	400	500	600	300	400	500	600	300	400	500	600
60N	3.3kg	2.8kg	2kg	1.8kg	3.1kg	2.6kg	1.8kg	1.4kg	2.9kg	2.4kg	1.6kg	1.2kg
80N	4.3kg	3.5kg	2.6kg	2kg	4.1kg	3.3kg	2.4kg	1.8kg	3.9kg	3.1kg	2.2kg	1.6kg
100N	5kg	4.1kg	3.2kg	2.5kg	4.8kg	4kg	3kg	2.3kg	4.6kg	3.8kg	2.8kg	2kg
120N	5.7kg	4.7kg	3.8kg	3kg	5.5kg	4.5kg	3.4kg	2.8kg	5.3kg	4.3kg	3.3kg	2.6kg
150N	6.5kg	5.5kg	4.7kg	3.7kg	6.2kg	5.3kg	4.5kg	3.5kg	6kg	5.1kg	4.3kg	3.3kg
200N	9.3kg	7.5kg	5.5kg	4.8kg	9.1kg	7.3kg	5.3kg	4.6kg	8.9kg	7.1kg	5.1kg	4.4kg
250N		9.7kg	8kg	5.5kg		9.5kg	7.8kg	5.3kg		9.3kg	7.6kg	5.1kg
300N		12.2kg	9.3kg	7.7kg		12kg	9.1kg	7.5kg		11.8kg	8.9kg	7.3kg
350N		15.8kg	10kg	9.2kg		15.6kg	9.8kg	9kg		15.3kg	9.6kg	8.7kg

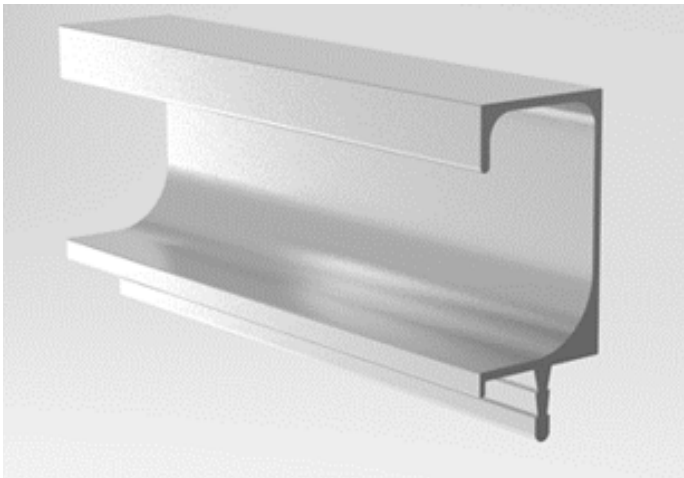
Gas Springs for Overheads - 9 inch	Unit	Article No.	PU	MRP/ Pair	Gas Springs for Overheads - 12 inch	Unit	Article No.	PU	MRP/ Pair
Gas spring Capacity - 8 KG / 9 inch	Pair	9289456	1	318	Gas spring Capacity - 8 KG / 12 inch	Pair	9289474	1	378
Gas spring Capacity - 10 KG / 9 inch	Pair	9289457	1	318	Gas spring Capacity - 10 KG / 12 inch	Pair	9289475	1	378
Gas spring Capacity - 12 KG / 9 inch	Pair	9289458	1	318	Gas spring Capacity - 12 KG / 12 inch	Pair	9289476	1	378
Gas spring Capacity - 15 KG / 9 inch	Pair	9289469	1	318	Gas spring Capacity - 15 KG / 12 inch	Pair	9289477	1	378
Gas spring Capacity - 20 KG / 9 inch	Pair	9289470	1	318	Gas spring Capacity - 20 KG / 12 inch	Pair	9289478	1	378
Gas spring Capacity - 25 KG / 9 inch	Pair	9289471	1	318	Gas spring Capacity - 25 KG / 12 inch	Pair	9289479	1	378
Gas spring Capacity - 30 KG / 9 inch	Pair	9289472	1	318	Gas spring Capacity - 30 KG / 12 inch	Pair	9289481	1	378
Gas spring Capacity - 35 KG / 9 inch	Pair	9289473	1	318	Gas spring Capacity - 35 KG / 12 inch	Pair	9289482	1	378

Aluminium Profile

Silver Anodized Aluminium Profile for Furniture Fronts



Handle Profile



G-Handle Profile

- ▶ Material Used: Anodized Aluminium
- ▶ For wood thickness 19 mm
- ▶ Profile Height: 35 mm
- ▶ Profile Length: 3000 mm
- ▶ Finish: Silver



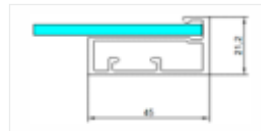
Description	Size	Unit	Article No.	PU	MRP/Pc
G Handle Profile 3000 mm SA	35 mm (H) X 3000 mm (L)	Pc	5211017	8	1,149

Straight Frame Profile



45 mm Straight Frame Profile

- ▶ Material Used: Anodized Aluminium
- ▶ Profile Width: 45 mm
- ▶ Profile Length: 3000 mm
- ▶ For glass thickness: 4 mm
- ▶ Finish: Silver
- ▶ Supplied with sealing strip for 4 mm glass



Description	Size (W)	Unit	Article No.	PU	MRP/Pc
Alu Profile 45 mm Straight 3000 mm SA	45 mm	Pc	5211018	4	1,579

Straight Frame Profile with Handle



45 mm Straight Frame Profile with F Handle

- ▶ Material Used: Anodized Aluminium
- ▶ Profile Width: 45 mm
- ▶ Profile Length: 3000 mm
- ▶ For glass thickness: 4 mm
- ▶ Finish: Silver
- ▶ Supplied with sealing strip for 4 mm glass












Description	Size (W)	Unit	Article No.	PU	MRP/Pc
Alu Profile 45 mm Straight with F Handle 3000 mm SA	45 mm	Pc	5211019	4	1,819



Description	Unit	Article No.	PU	MRP/Set
Angle Connector Set (For all aluminum profiles) 1 Set Consists of 4 connectors & 8 screws	Set	9303247	30	142

Handles



Sr. No.	Description	Finish	Article No.	Hole Distance	Unit	PU	MRP/Pc
1.		Nickel Matt	1180122	96	Pc	200	63
		Nickel Matt	1180121	128	Pc	150	95
2.		Nickel Matt	1180167	96	Pc	200	75
		Nickel Matt	1180166	128	Pc	125	111
3.		Nickel Matt	1161173	96	Pc	60	82
		Nickel Matt	1161167	128	Pc	50	122
4.		Nickel Matt	9220976	96	Pc	50	69
		Nickel Matt	9220978	128	Pc	50	108
5.		Bright Chrome	9220975	96	Pc	50	62
		Bright Chrome	9220977	128	Pc	50	99
6.		Nickel Matt	9220980	96	Pc	50	64
		Nickel Matt	9220982	128	Pc	50	112
7.		Bright Chrome	9220979	96	Pc	50	58
		Bright Chrome	9220981	128	Pc	50	103
8.		Brushed Silver Anodized	9310024	224	Pc	72	210
9.		Matt Black	9297998	128	Pc	1	95

Note: For more handles refer to Handlesfor99.com

Handles

Alfa Handle



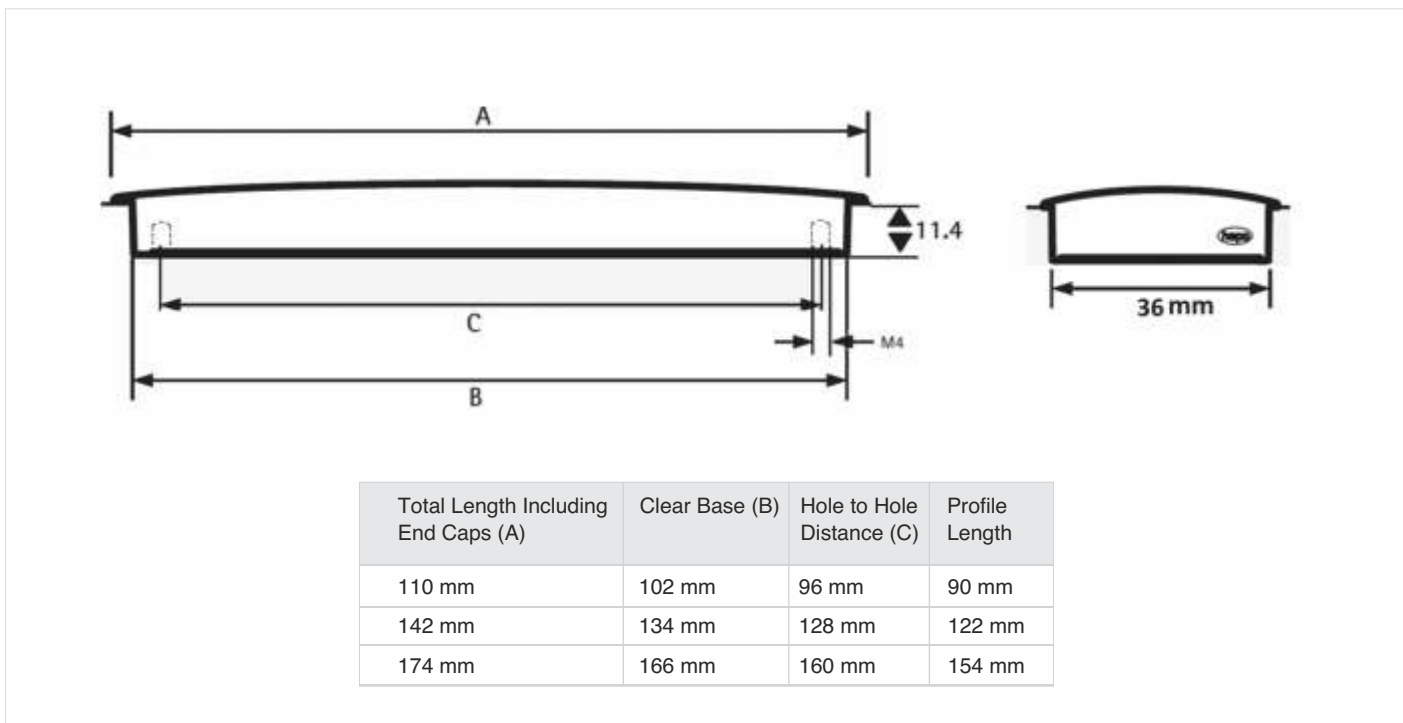
Alfa Handle



Features:

- ▶ Recessed Handle for wooden shutters
- ▶ Handle Length: 110/ 142/ 174 mm
- ▶ Material Used: Anodized Aluminum
- ▶ Finish: Silver

Cut out details



Description	Total Length Including End Caps (A)	Clear Base (B)	Hole to Hole Distance (C)	Profile Length	Unit	Article no	PU	MRP / Pc
Alpha Handle 96mm incl. end caps	110 mm	102 mm	96 mm	90 mm	Pc	5211053	100	188
Alpha Handle 128mm incl. end caps	142 mm	134 mm	128 mm	122 mm	Pc	5211054	80	207
Alpha Handle 160mm incl. end caps	174 mm	166 mm	160 mm	154 mm	Pc	5211055	65	226

Tower Bolt

Aluminium & Brass Tower Bolt for Doors & Windows



Sr. No.		Description	Material	Finish	Rod dia. (in mm)	Article No.	Size (in mm)	Unit	PU	MRP/Pc
1		Towerbolt ALU-D18	Aluminium	Stainless Steel	9.5	9291322	100	Pc	12	158
2		Towerbolt ALU-D18	Aluminium	Stainless Steel	9.5	9291323	150	Pc	12	198
3		Towerbolt ALU-D18	Aluminium	Stainless Steel	9.5	9291324	200	Pc	12	235
4		Towerbolt ALU-D18	Aluminium	Stainless Steel	9.5	9291325	250	Pc	12	278
5		Towerbolt ALU-D18	Aluminium	Stainless Steel	9.5	9291326	300	Pc	12	322
1		Towerbolt ALU-D18	Aluminium	Antique Brass	9.5	9291327	100	Pc	12	195
2		Towerbolt ALU-D18	Aluminium	Antique Brass	9.5	9291328	150	Pc	12	240
3		Towerbolt ALU-D18	Aluminium	Antique Brass	9.5	9291329	200	Pc	12	285
4		Towerbolt ALU-D18	Aluminium	Antique Brass	9.5	9291330	250	Pc	12	335
5		Towerbolt ALU-D18	Aluminium	Antique Brass	9.5	9291331	300	Pc	12	385
1		Towerbolt ALU-D25	Aluminium	Stainless Steel	9.5	9291332	100	Pc	12	175
2		Towerbolt ALU-D25	Aluminium	Stainless Steel	9.5	9291333	150	Pc	12	220
3		Towerbolt ALU-D25	Aluminium	Stainless Steel	9.5	9291334	200	Pc	12	260
4		Towerbolt ALU-D25	Aluminium	Stainless Steel	9.5	9291335	250	Pc	12	310
5		Towerbolt ALU-D25	Aluminium	Stainless Steel	9.5	9291336	300	Pc	12	355
1		Towerbolt ALU-D25	Aluminium	Antique Brass	9.5	9291337	100	Pc	12	212
2		Towerbolt ALU-D25	Aluminium	Antique Brass	9.5	9291338	150	Pc	12	268
3		Towerbolt ALU-D25	Aluminium	Antique Brass	9.5	9291339	200	Pc	12	312
4		Towerbolt ALU-D25	Aluminium	Antique Brass	9.5	9291340	250	Pc	12	368
5		Towerbolt ALU-D25	Aluminium	Antique Brass	9.5	9291341	300	Pc	12	425
1		Towerbolt ALU-ISI-10	Aluminium	Aluminium Anodized	10	9291362	100	Pc	12	67
2		Towerbolt ALU-ISI-10	Aluminium	Aluminium Anodized	10	9291364	150	Pc	12	90
3		Towerbolt ALU-ISI-10	Aluminium	Aluminium Anodized	10	9291365	200	Pc	12	114
4		Towerbolt ALU-ISI-10	Aluminium	Aluminium Anodized	10	9291366	250	Pc	12	137
5		Towerbolt ALU-ISI-10	Aluminium	Aluminium Anodized	10	9291367	300	Pc	12	162
1		Towerbolt ALU-ISI-10	Aluminium	Anodized Stainless Steel	10	9291368	100	Pc	12	80
2		Towerbolt ALU-ISI-10	Aluminium	Anodized Stainless Steel	10	9291369	150	Pc	12	110
3		Towerbolt ALU-ISI-10	Aluminium	Anodized Stainless Steel	10	9291370	200	Pc	12	138
4		Towerbolt ALU-ISI-10	Aluminium	Anodized Stainless Steel	10	9291371	250	Pc	12	168
5		Towerbolt ALU-ISI-10	Aluminium	Anodized Stainless Steel	10	9291372	300	Pc	12	198
1		Towerbolt BRS-D25	Brass	Polished Brass	9	9291342	100	Pc	12	470
2		Towerbolt BRS-D25	Brass	Polished Brass	9	9291343	150	Pc	12	670
3		Towerbolt BRS-D25	Brass	Polished Brass	9	9291344	200	Pc	12	880
4		Towerbolt BRS-D25	Brass	Polished Brass	9	9291345	250	Pc	12	1,090
5		Towerbolt BRS-D25	Brass	Polished Brass	9	9291346	300	Pc	12	1,310



Bed Fittings

Hepo's range of Bed Storage Systems addresses the need of space-efficiency. It offers a complete and effective solution for accessing the storage spaces below the heavy mattresses with ease. Most Indian households store bed linen, pillows & blankets which are required for seasonal purposes underneath their mattresses in the bed storage.

Hepo's Bed Fittings allow to access the storages with ease and a swift single handed lift movement. The opening angle of the fitting

is also engineered to provide maximum access to the storage space from all sides of the bed.

The Bed Lift Storage System is the answer to all storage needs; it is a smart solution for turning a cluttered master bedroom into a relaxing retreat which allows Complete Opening Function for Ergonomical needs. It is designed specially keeping in mind the current Indian housing scenario and is the perfect way to add more usable living space to your room.



Bed Fittings Fixed to Sides of Storage



Centrally Fixed Fittings for clear sides

Bed Fittings

Bed Fitting Frame & Gas Spring



Technical Specification

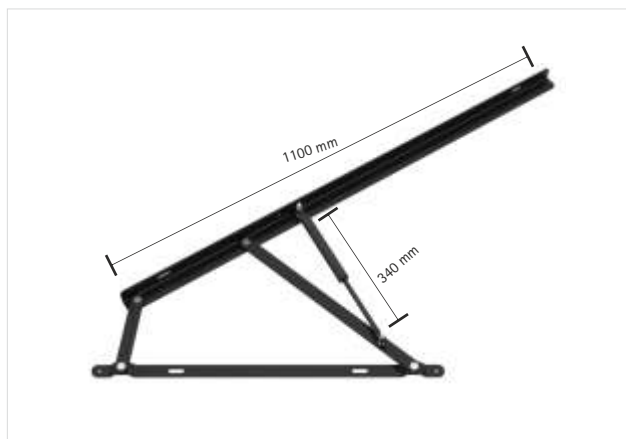


- ▶ Perfect Storage & Space saving
- ▶ Large opening for easy access under the bed
- ▶ Opening from the side or foot of the bed is workable
- ▶ Convenience of use
- ▶ Noiseless and effortless operation
- ▶ International quality mechanism
- ▶ Black Powder Coated finish
- ▶ Backed by Hepo assurance
- ▶ Gas Spring: Passed SGS Test Reliable
- ▶ Quality Effortless Operation
- ▶ Frame Material : Q235
- ▶ Frame Thickness: 4 mm
- ▶ Gas Spring Material: Steel
- ▶ Finish: Powder Coated Black color

Set includes:

- ▶ 1 pair of Bed lift mechanism,
- ▶ Mounting screws & nuts pack
- ▶ 1 installation manual

Bed Fitting Frame - 1100 mm



- ▶ Frame Material : Q235
- ▶ Frame Thickness : 4 mm
- ▶ Finish: Powder Coated Black color
- ▶ Compatible with Gas Spring of 340 mm length
- ▶ Weight carrying capacity of compatible Gas Spring: 70kg / 100kg



Description	Article no.	Unit	PU	MRP/Set
Bed Fitting Frame - 1100 mm	9304139	Set	1	2,764
Gas Spring 340 mm / 70Kg	9282630	Set	1	788
Gas Spring 340 mm / 100Kg	9282631	Set	1	788

Bed Fitting Frame - 1500 mm



- ▶ Frame Material : Q235
- ▶ Frame Thickness : 4 mm
- ▶ Finish: Powder Coated Black color
- ▶ Compatible with Gas Spring of 340 mm length
- ▶ Weight carrying capacity of compatible Gas Spring: 120kg/150kg



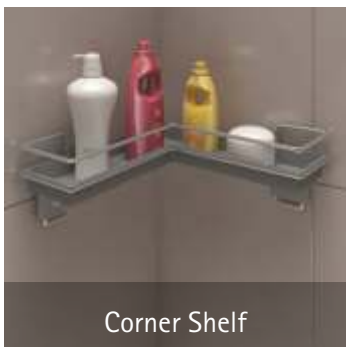
Description	Article no.	Unit	PU	MRP/Set
Bed Fitting Frame - 1500 mm	9304140	Set	1	3,193
Gas Spring 340 mm / 120Kg	9282633	Set	1	788
Gas Spring 340 mm / 150Kg	9296534	Set	1	1,362

* Gas Spring set to be ordered as per required weight capacity

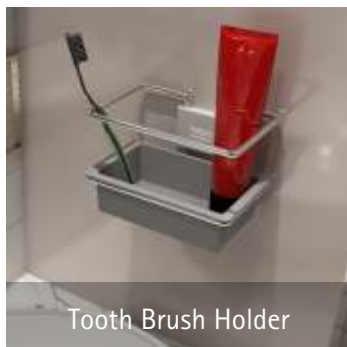
* Packaging: Each Bed Fitting and gas spring Set in a separate carton box

Note: MRP are subject to change any time without prior notice.

Bathroom Accessories



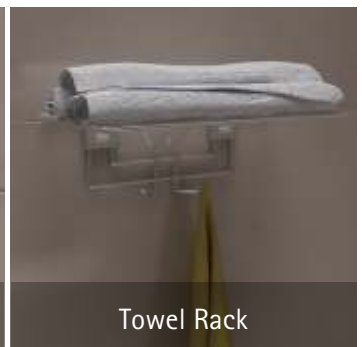
Corner Shelf



Tooth Brush Holder



Soap & Shampoo Holder



Towel Rack



Tissue Roll Holder



Towel Rail



Clothes Hook



Accessory Shelf



Hand Towel Holder

Hepo takes the definition of a contemporary bathroom a step ahead with its exquisite range of bathroom accessories that impart a sense of style and convenience to bathrooms. The range consists of a set of accessories that provide holistic solutions to every possible storage need in the bathroom. The accessories not only add on style to your bathroom but also enhance the level of convenience.

Bathroom Accessories

Stainless steel accessories with chrome plating
5 years replacement warranty against rusting

hepo



Towel Rail



Hepo Stainless Steel Towel Rails adds a refined touch to the bathroom. It is a cool practical home addition that keeps your towel dry that keeps the sick humid stink at bay. A must for your bathroom, they add the right glamour touch & keep your bathroom free of damp breeding ground for germs and mold.

- ▶ Package contains 1 towel rail, 2 cover caps & 5 wall fixing screws
- ▶ Can hold 2 hand towels

Description	Article No.	PU	Size (WxDxH) mm	MRP/Pc
Towel Rail - 350 mm	9280378	8	350x100x100	852

Towel Rack



Hepo wall mounted Towel Rack adds the right stylish element to your bathroom. It lets you stack your towels neatly on to it which looks good, gives you great comfort & keeps your bathroom hygienic too!

- ▶ Package contains 1 towel rack, 2 cover caps & 5 wall fixing screws
- ▶ Can hold 3 folded towels on the surface & 3 towels or clothes can be hung

Description	Article No.	PU	Size (WxDxH) mm	MRP/Pc
Towel Rack - 450 mm	9280377	1	450x250x150	2,466

Clothes Hook



Hepo Clothes Hook is a fascinating and convenient clothes holder fashioned to hold the clothes in the bathroom in style. The product puts an end to the unsightly picture of used and unused clothes lying around, in the bathroom by giving a compact place to hang them.

- ▶ Package contains 1 cloth hook, 2 cover caps & 5 wall fixing screws
- ▶ Can hold 9 nos of clothes or full size towels

Description	Article No.	PU	Size (WxDxH) mm	MRP/Pc
Clothes Hook	9280371	10	447x55x133	1,138

Bathroom Accessories

Stainless steel accessories with chrome plating
5 years replacement warranty against rusting

hepo



Accessory Shelf



Hepo Accessory Shelf has been modelled to hold daily use assortments. When added to the bathroom ensemble, the linear designed shelf adds a subtle refined touch.

- ▶ Package contains 1 accessory shelf, 1 plastic tray, 2 cover caps & 5 wall fixing screws
- ▶ Can hold a variety in bottles of different sizes

Description	Article No.	PU	Size (WxDxH) mm	MRP/Pc
Accessory Shelf - W300	9280369	8	300x100x120	1,043
Accessory Shelf - W450	9280370	6	450x100x120	1,232

Corner Shelf



Hepo Corner Shelf is a sleek corner unit that can hold multiple essential stuff. The product enhances storage space with its L shape component not only in your bathroom but can also be used in other corners of your beautiful house.

- ▶ Package contains 1 corner shelf, 1 plastic tray, 2 cover caps & 5 wall fixing screws
- ▶ Can hold a variety of bottles in different sizes with other articles as well

Description	Article No.	PU	Size (WxDxH) mm	MRP/Pc
Corner Shelf	9280372	1	300x300x120	1,328

Hand Towel Holder



Hepo Hand Towel Holder is a charming accessory geared to store the towels. The product helps to retain a high level hygiene factor in the bathroom by keeping the towels dry and gives a pleasant contemporary twist to the bathroom landscape.

- ▶ Package contains 1 hand towel holder, 1 cover cap & 3 wall fixing screws
- ▶ Can hold 2 hand towels

Description	Article No.	PU	Size (WxDxH) mm	MRP/Pc
Hand Towel Holder - 220 mm	9280373	9	220x70x100	568

Bathroom Accessories

Stainless steel accessories with chrome plating
5 years replacement warranty against rusting

hepo



Tooth Brush Holder



Hepo stainless steel Tooth Brush Holder adds the right ambivalent touch to your bathroom, saves the unnecessary utilization of space by toothbrush containers on the basin.

- ▶ Package contains 1 tooth brush holder, 1 plastic tray, 1 cover cap & 3 wall fixing screws
- ▶ Can hold 4-6 toothbrushes, tongue cleaner & 1 toothpaste tube / mouth freshener

Description	Article No.	PU	Size (WxDxH) mm	MRP/Pc
Tooth Brush Holder	9280376	15	150x100x70	757

Soap & Shampoo Holder



Hepo Soap & Shampoo Holder is another accessory from Hepo that allows you to place your favourite shampoo and soap in a way that is conveniently accessible. The holder prevents the wastage of space on the floor or open spaces that may be taken up in absence of the wall mounted holder.

- ▶ Package contains 1 soap holder, 1 plastic tray, 1 cover cap & 3 wall fixing screws
- ▶ Can hold 1 soap and 1 shampoo bottle or shower gel bottom hook can be hold loofah or bath scrubber

Description	Article No.	PU	Size (WxDxH) mm	MRP/Pc
Soap & Shampoo Holder	9280374	10	200x115x125	948

Tissue Roll Holder



Hepo Tissue Roll Holder with plastic tray is a suave product that must find a place in all modern bathrooms to maintain that elite factor besides maintaining hygiene within. It rolls the tissues well that comes out with ease while in use.

- ▶ Package contains 1 tissue roll holder, 1 plastic tray, 1 cover cap & 3 wall fixing screws
- ▶ Can hold 1 tissue roll and some other articles on plastic tray

Description	Article No.	PU	Size (WxDxH) mm	MRP/Pc
Tissue Roll Holder	9280375	12	200x105x110	1,138

Connecting Fittings

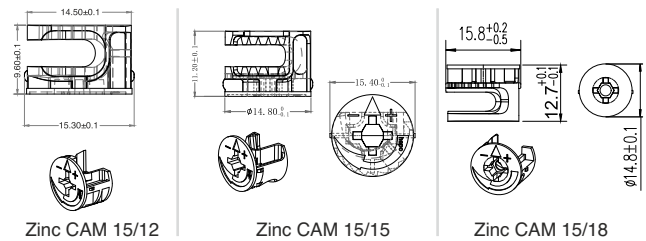
Cam, Steel Dowel & Socket



Cam

Technical Detail:

- ▶ Drilling diameter 15 mm
- ▶ Drilling depth: 9.6 mm for Zinc CAM 15/12
11.2 mm for Zinc CAM 15/15
13 mm for Zinc CAM 15/18
- ▶ Available for 12/15/18 mm panel thickness
- ▶ Surface material: Nickel Plating

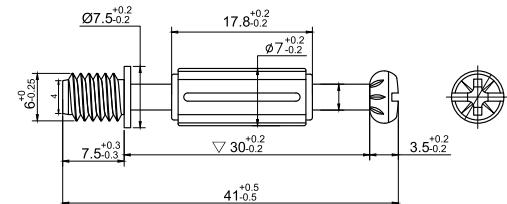


Description	Unit	Article no	PU	MRP/Pc
Zinc Cam 15/12 - Zinc CAM for 12 mm panel	Pc	9308957	3000	4.90
Zinc Cam 15/15 - Zinc CAM for 15 mm panel	Pc	9299651	3000	4.90
Zinc Cam 15/18 - Zinc CAM for 18 mm panel	Pc	9290887	3000	7.03

Steel Dowel

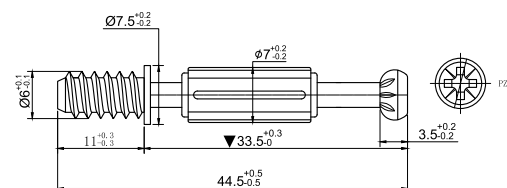
Technical Detail:

- ▶ M6*7.5 mm thread
- ▶ Dowel Length: 30 mm
- ▶ Available with unmovable grey plastic part



Description	Unit	Article no	PU	MRP/Pc
M6*34 Dowel, 3 in one, PZ2, Galvanizing	Pc	9289656	3000	2.58

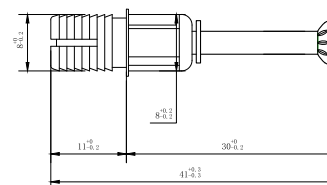
- ▶ Steel dowel with direct fixing thread for drilling diameter of 6 mm
- ▶ Dowel length: 30 mm



Description	Unit	Article no	PU	MRP/Pc
Steel Dowel Euro Thread, 30 mm	Pc	9299653	3000	2.75

Fast Assembly Dowel

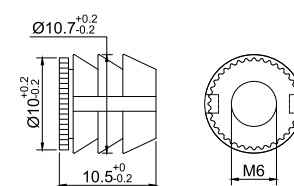
- ▶ Available with expanding socket with 8 mm drilling diameter
- ▶ Dowel length: 30 mm



Description	Unit	Article no	PU	MRP/Pc
Fast Assembly Steel Dowel, 30 mm	Pc	9299654	3000	3.25

Socket

- ▶ Inner thread: M6
- ▶ Drilling diameter 10 mm
- ▶ Drilling depth: 11.5 mm
- ▶ Available for 15/18 mm panel thickness
- ▶ Finish: White



Description	Unit	Article no	PU	MRP/Pc
Nylon Socket, Ø10.8x11, Inner M6 hole	Pc	9289732/ 9304875	3000	0.84

Connecting Fittings

Wooden Dowel, L-Bracket



Wooden Dowel



Wooden Dowel 8x50mm



Wooden Dowel 8x30mm



Wooden Dowel 8x40mm



Wooden Dowel 6x35mm

Description	Unit	Article no	PU	MRP/Pc
Wooden Dowel 6.0x35mm	Pc	9290708	2000	0.8
Wooden Dowel 8.0x30mm	Pc	9290706	2000	0.9
Wooden Dowel 8.0x40mm	Pc	9102465	2000	0.9
Wooden Dowel 8.0x50mm	Pc	9290707	2000	1.2

L-Bracket

S.No.	Description		Unit	Article No.	PU	MRP/Pc
1	L-Bracket 31x31 mm		Pc	79665	1000	15
2	L-Bracket 41x41 mm		Pc	25197	100	15

Connecting Fittings

D- Nut (Steel)



D-Nut (Steel)



- ▶ Material used: Steel
- ▶ Available in HEX drive
- ▶ Available in Regular/Metric thread
- ▶ Available Finish: Chrome, Blue zinc (ZP, Cr3+)
- ▶ Available with bulk packing
- ▶ Tested for 48 Hrs Salt Spray against rusting

Steel screw nut					
Data	M6*13	M6*15	M6*18	M6*20	M6*25
A(L)	13 ⁺¹ ₋₁	15 ^{+1.5} _{-1.5}	18 ^{+1.5} _{-1.5}	20 ^{+1.5} _{-1.5}	25 ^{+1.5} _{-1.5}
B(D)	11.8 ^{+0.5} _{-0.5}	11.8 ^{+0.5} _{-0.5}	11.8 ^{+0.5} _{-0.5}	11.8 ^{+0.5} _{-0.5}	11.8 ^{+0.5} _{-0.5}
C(D)	10.5 ^{+0.5} _{-0.5}	10.5 ^{+0.5} _{-0.5}	10.5 ^{+0.5} _{-0.5}	10.5 ^{+0.5} _{-0.5}	10.5 ^{+0.5} _{-0.5}
D(inne hex)	6.1 ^{+0.2} _{-0.2}	6.1 ^{+0.2} _{-0.2}	6.1 ^{+0.2} _{-0.2}	6.1 ^{+0.2} _{-0.2}	6.1 ^{+0.2} _{-0.2}

Steel screw nut					
data	M8*13*12.5	M8*15*12.5	M8*18*12.5	M8*20*12.5	M8*25*12.5
A (Length)	13 ⁺¹ ₋₁	15 ^{+1.5} _{-1.5}	18 ^{+1.5} _{-1.5}	20 ^{+1.5} _{-1.5}	25 ^{+1.5} _{-1.5}
B (Diameter)	14 ^{+0.5} _{-0.5}	14 ^{+0.5} _{-0.5}	14 ^{+0.5} _{-0.5}	14 ^{+0.5} _{-0.5}	14 ^{+0.5} _{-0.5}
C (Diameter)	12.5 ^{+0.5} _{-0.5}	12.5 ^{+0.5} _{-0.5}	12.5 ^{+0.5} _{-0.5}	12.5 ^{+0.5} _{-0.5}	12.5 ^{+0.5} _{-0.5}
D (inner hex)	8.08 ^{+0.2} _{-0.2}	8.08 ^{+0.2} _{-0.2}	8.08 ^{+0.2} _{-0.2}	8.08 ^{+0.2} _{-0.2}	8.08 ^{+0.2} _{-0.2}

Description	Diamension	Unit	Article No.	PU	MRP/Pc
D-Nut(Steel) M6x13, ZP Cr3+	M6x13	Pc	9296712	3500	2.85
D-Nut(Steel) M6x15, ZP Cr3+	M6x15	Pc	9296713	3000	3.15
D-Nut(Steel) M6x18, ZP Cr3+	M6x18	Pc	9296714	2500	3.55
D-Nut(Steel) M6x20, ZP Cr3+	M6x20	Pc	9296715	2500	3.85
D-Nut(Steel) M6x25, ZP Cr3+	M6x25	Pc	9296716	2000	4.75
D-Nut(Steel) M8x13, ZP Cr3+	M8x13	Pc	9296717	3000	3.45
D-Nut(Steel) M8x15, ZP Cr3+	M8x15	Pc	9296718	2500	3.75
D-Nut(Steel) M8x18, ZP Cr3+	M8x18	Pc	9296719	2000	4.15
D-Nut(Steel) M8x20, ZP Cr3+	M8x20	Pc	9296720	2000	4.65
D-Nut(Steel) M8x25, ZP Cr3+	M8x25	Pc	9296721	1500	5.65

Connecting Fittings

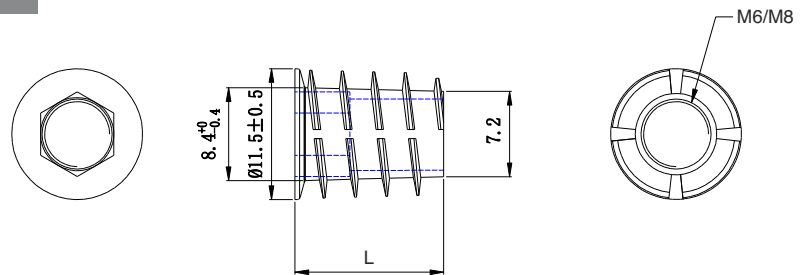
Hex Metal Socket, T-Nut & Barrel Nut



Hex Metal Socket



Material used: Zinc Alloy
Drive: Hex Socket
Finish: Zinc

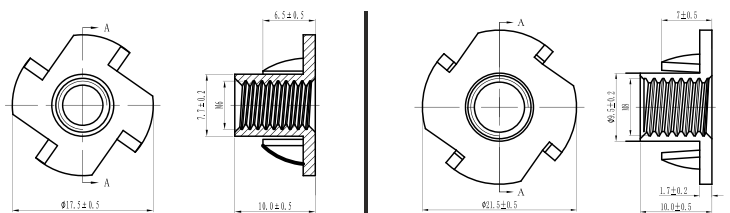


Description	Unit	Article no	PU	MRP/Pc
Hex Metal socket M6x13 ZP	Pc	9290695	6000	3.75
Hex Metal socket M6x15 ZP	Pc	9290696	6000	4.10
Hex Metal socket M6x20 ZP	Pc	9290698	4500	5.50
Hex Metal socket M8x18 ZP	Pc	9290702	3500	5.90

T-Nut



Thread: Metric
Material: Steel
Finish: Zinc chrome plated

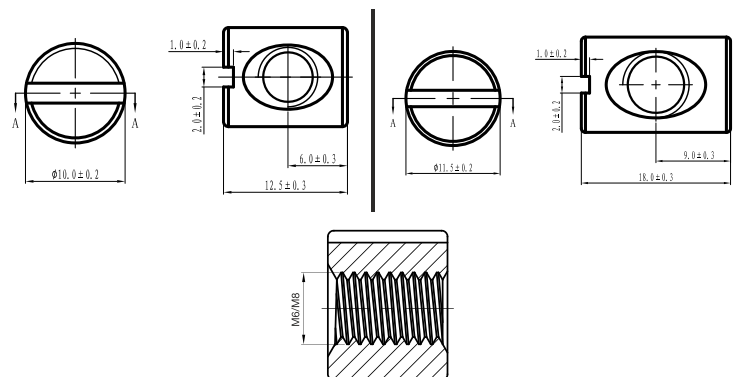


Description	Unit	Article no	PU	MRP/Pc
T-Nut M6X10	Pc	9312049	500	2.9
T-Nut M8X10	Pc	9312111	500	4.5

Barrel Nut



Thread: Metric
Material: Steel
Finish: Zinc chrome plated



Description	Unit	Article no	PU	MRP/Pc
Barrel Nut M6* φ10*13	Pc	9312112	500	4.7
Barrel Nut M8* φ12*18	Pc	9312113	500	9.8

Connecting Fittings

Leveller Screws



Leveller Screws



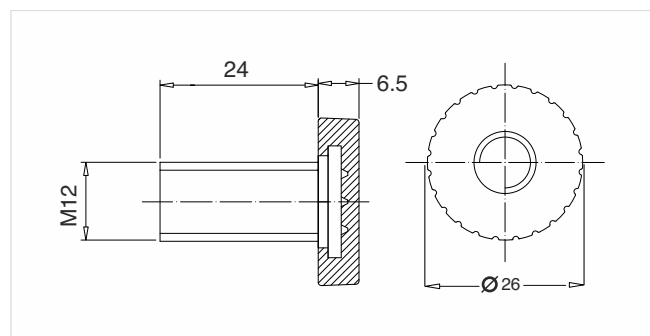
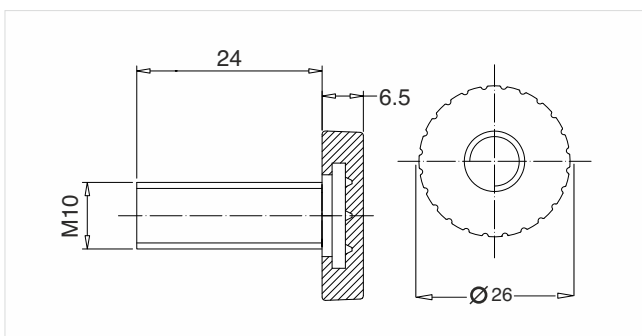
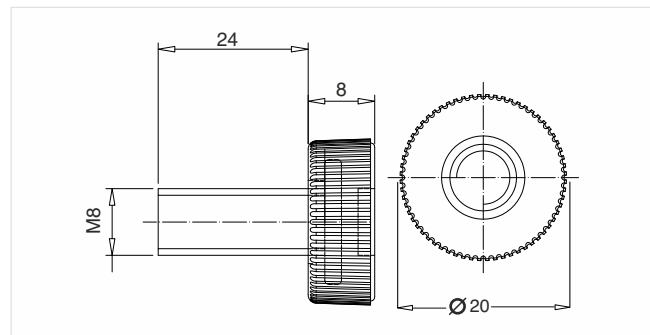
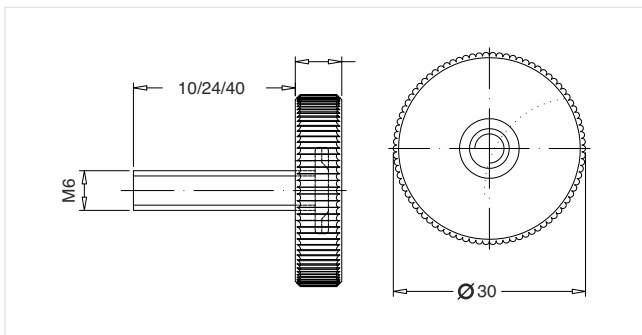
Technical details:

- ▶ Used for height adjustment of cabinets
- ▶ Material used: Zinc plated aluminium, High quality plastic
- ▶ Finish: Zinc chrome plated, Black plastic

Product Dimension

Rod Dia. (mm)	Rod Length (mm)	Base Dia. (mm)	Base Height (mm)
M6	10/ 24/ 40	30	7
M8	24	20	8
M10	24	26	6.5
M12	24	26	6.5

Dimensional Diagram



Product description	Weight capacity	Height adjustment range (mm)	Unit	Article no.	PU	MRP/Pc
Leveller screw M6 x 10 mm	60 Kg	9	Pc	9138921	1000	9.50
Leveller screw M6 x 24 mm	60 Kg	23	Pc	9138922	1000	10.50
Leveller screw M6 x 40 mm	60 Kg	39	Pc	9138923	1000	11.75
Leveller screw M8 x 24 mm	70 Kg	22	Pc	9138924	1000	12
Leveller screw M10 x 24 mm	80 Kg	20	Pc	9138925	500	16
Leveller screw M12 x 24 mm	90 Kg	20	Pc	9138926	500	22

Connecting Fittings

Hepo Bolts



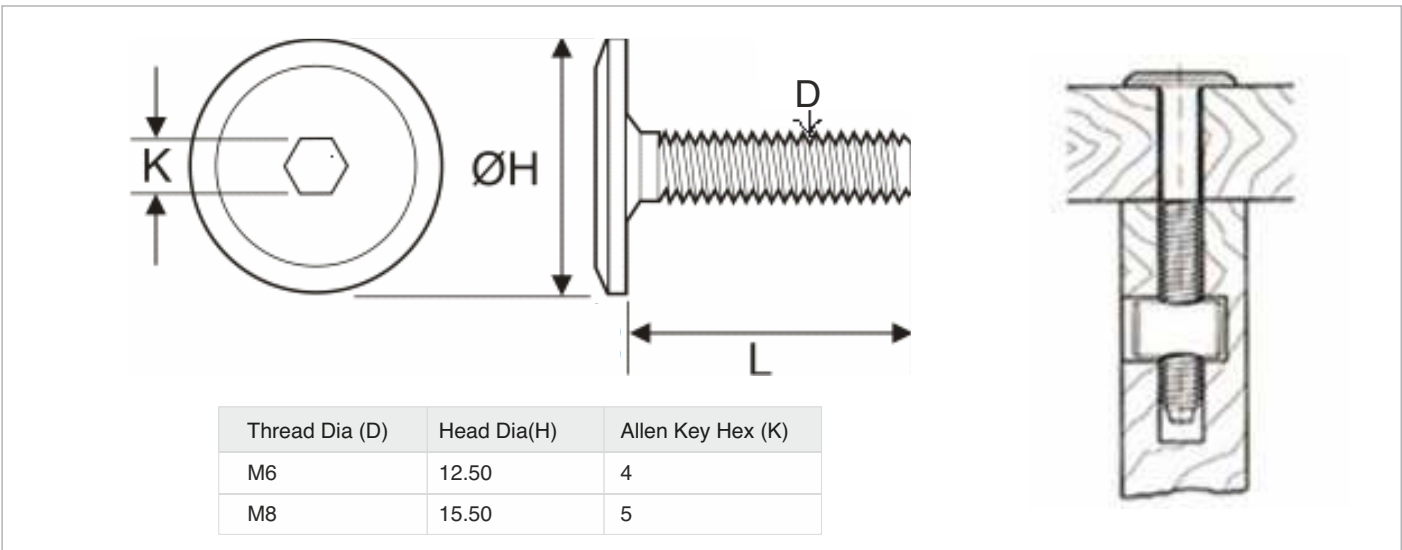
JCBC Bolt




- ▶ Head: Flat Head
- ▶ Drive: HEX Drive
- ▶ Thread: Full thread (Metric)
- ▶ Head Dia - 12.5 mm for M6
15.5 mm for M8
- ▶ Size of Hex drive: 4 mm for M6
5 mm for M8
- ▶ Material used: Steel
- ▶ Finish: Black Oxide finish

Application:

- ▶ Used in assembly/combination with any wood insert or ordinary Nuts, also used in sub assemblies of furnitures
- ▶ Used along with D-nuts, insert sockets, barrel nuts, T-nuts & ordinary nuts



Sr. No.	Description	Size DxL (mm)	Unit	Article No.	PU	MRP/Pc
1	 JCBC Bolt	M6x10	Pc	9309958	4000	1.2
2		M6x15	Pc	9309961	3000	1.6
3		M6x20	Pc	9309962	2500	1.9
4		M6x25	Pc	9309963	2000	2.3
5		M6x30	Pc	9309964	2000	2.6
6		M6x35	Pc	9309965	1500	3.0
7		M6x40	Pc	9309966	1500	3.3
8		M6x45	Pc	9309967	1500	3.7
9		M6x50	Pc	9309968	1000	4.0
10		M6x60	Pc	9309969	1000	4.7
11		M6x70	Pc	9309970	1000	5.4
12		M8x15	Pc	9309981	1500	2.7
13		M8x20	Pc	9309982	1500	3.3
14		M8x25	Pc	9309983	1000	3.9
15		M8x30	Pc	9309984	1000	4.4

Connecting Fittings

Hepo Bolts



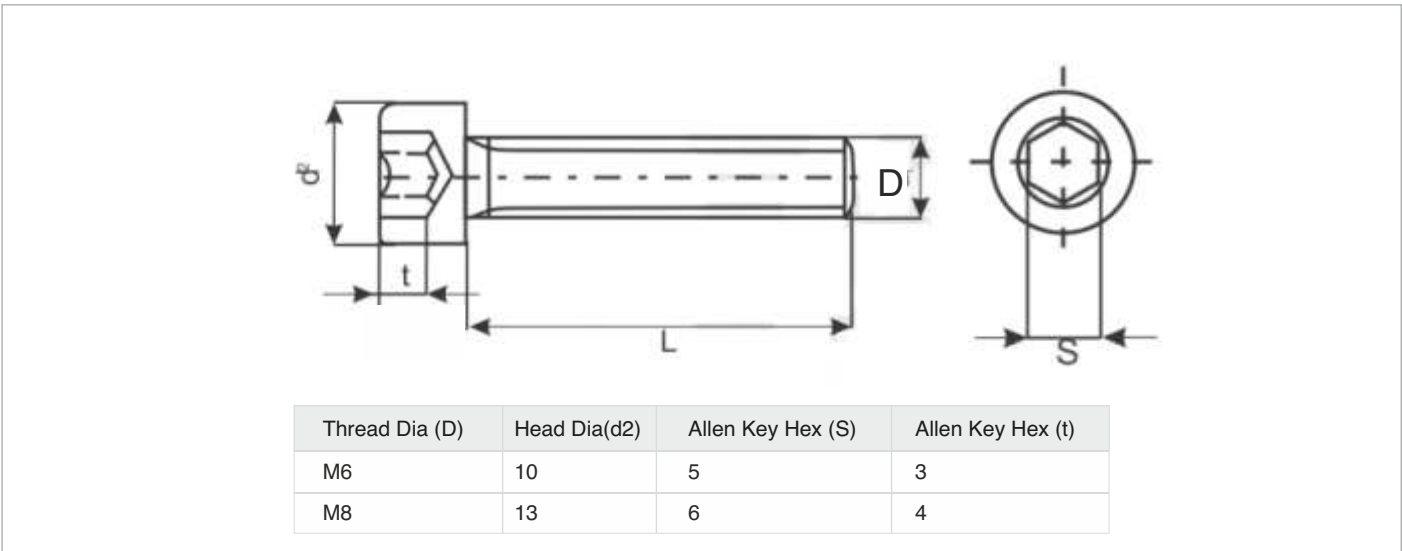
Allen Bolt/ Socket Head Bolt



- ▶ Head: Round Knurled Head
- ▶ Drive: HEX drive
- ▶ Thread: Full thread (Metric)
- ▶ Size of Hex drive: 5 mm for M6
6 mm for M8
- ▶ Head Dia - 10 mm for M6
13 mm for M8
- ▶ Material used: Steel
- ▶ Finish: Black Oxide finish

Application:

- ▶ Used for its installation on surfaces to connect wood to wood/ wood to metal/metal to metal sections
- ▶ Used as aesthetically pleasing fastener for exposed views with enough tensile strength for better load handling
- ▶ Used in applications like the construction of plastic injection molds, power plant parts and transmission tools, hydraulic braking system and home furniture
- ▶ Used along with D-nuts, insert sockets, barrel nuts, T-nuts & ordinary nuts



Sr. No.		Description	Size DxL (mm)	Unit	Article No.	PU	MRP/Pc
1		Allen Bolt / Socket Head Bolt	M6x20	Pc	9309985	2500	2.25
2			M8x15	Pc	9309986	1000	4.35
3			M8x40	Pc	9309987	500	6.74
4			M8x50	Pc	9309988	500	7.96
5			M8x60	Pc	9309989	500	9.74
6			M8x75	Pc	9309990	500	12.01

Connecting Fittings

Hepo Bolts



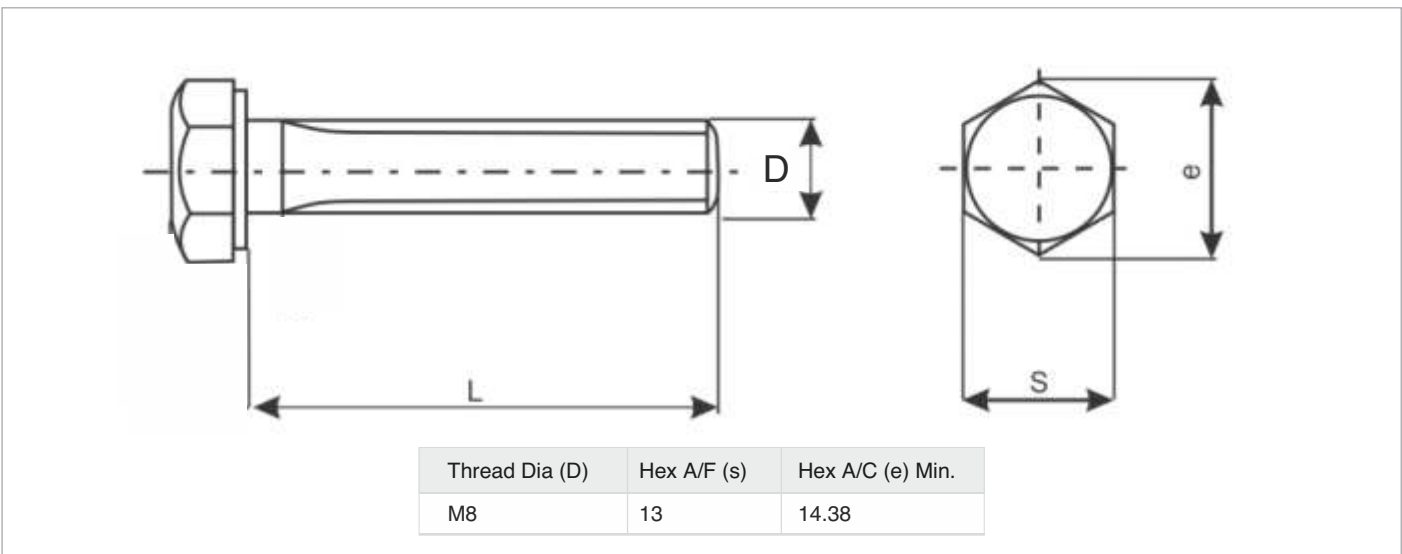
HEX Bolt




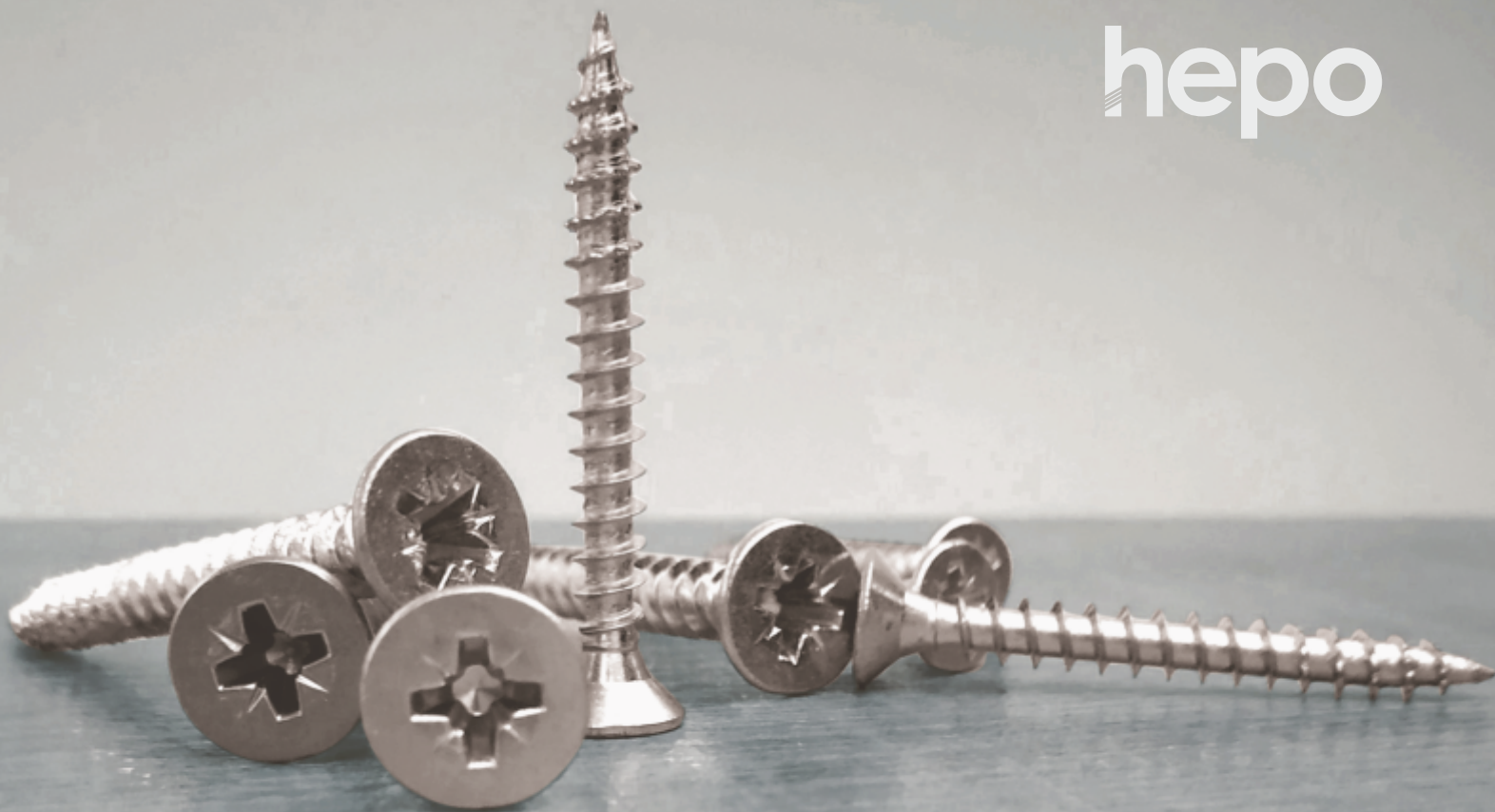
- ▶ Head: Hexagonal Head
- ▶ Thread: Full thread (Metric)
- ▶ Material used: Steel
- ▶ Finish: Black Oxide finish

Application:

- ▶ Used in tight spaces to secure wood, metal, plastic and other materials.
- ▶ Commonly used in buildings, bridges, docks and highway structures, all industries and all homes



Sr. No.		Description	Size DxL (mm)	Unit	Article No.	PU	MRP/Pc
1		Hex Bolt	M8x20	Pc	9309991	1000	2.7
2			M8x25	Pc	9309992	1000	3.2
3			M8x30	Pc	9309993	1000	3.5
4			M8x35	Pc	9309994	1000	3.9
5			M8x40	Pc	9309995	500	4.3
6			M8x50	Pc	9309996	500	5.1
7			M8x60	Pc	9309997	500	5.8
8			M8x75	Pc	9309998	500	7.0



Screws

HePo offers wide range of screws in India ideally suitable for all type of wood, plastic, masonry and sheet metal.

HePo provides complete range of woodworking and building and construction screw i.e. Chipboard screw, Drywall screws (black phosphate), Self-drilling screws, Handle fixing screws, Truss head and roofing screws. HePo screws are made from hardened steel. What differentiates HePo screws from other available in market are:

Saw Thread - Gives better and faster cutting strength for the screw inside the material. Thus, a carpenter has to use less force and effort during drilling.

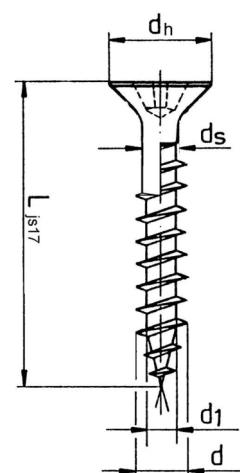
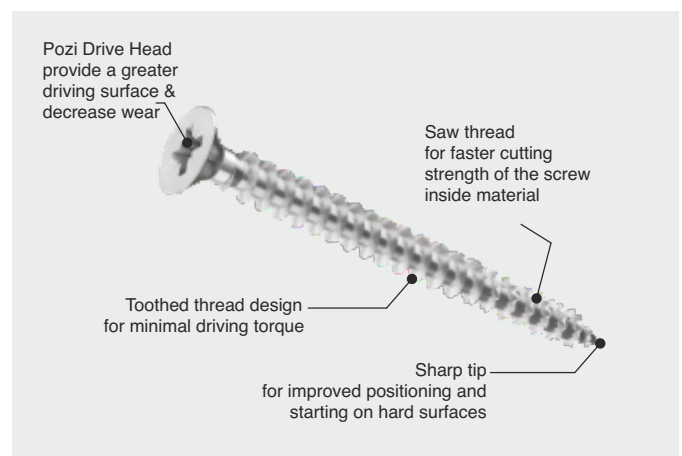
Pozi Drive - It has eight times better grip than a slotted head and two times better than Philips head, allowing greater torque.

Sharp Tip - Optimized tip geometry for better positioning and stacking of the screw, even on hard surface

High Thread Pitch - Gives faster drive and better contact with the substrate thereby reducing the time of installation.

Packaging - HePo screws are available in different pack sizes i.e. bulk/retail/small pack as per the customer needs.

Available Screws - Zinc Coated, Stainless Steel, Blackodized, Special Screws & Accessories

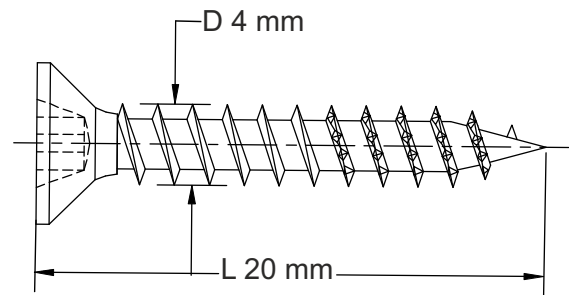


d : Thread diameter
 d₁ : Core diameter
 d_s : Shank diameter
 L : Screw length
 d_h : Head diameter

Naming Convention for Chipboard Screws

Consider 4 x 20

4 is the diameter of the thread in 'mm' (Including the thread)
20 is the length of the screw in 'mm'



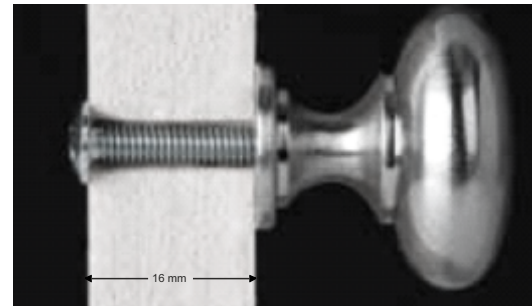
Naming Convention for Machine Screws

Consider M4x26

4 is the diameter in 'mm'
26 is the length of the screw in 'mm'

Specifying the Screw:

Panel thickness + 6 mm to pierce into the handle
e.g: For a 16 mm Panel, 22 mm screw length can be suggested to fix a handle, knob etc



Screws : Nomenclature

As per Screw Heads



Slotted Head

Phillips Head

Pozi Drive

As per Screw Head Shape



Countersunk Head

Pan Head

Hexagonal Head

Indian Market follows imperial system (Gauge & Inch) Which allows suppliers to sell shorter screws against any required size

Conversion Chart- Imperial System to Metric System

Diameter		Length	
Gauge No.	mm	Inch	mm
2	2	1/4	6
3	2.5	3/8	10
4	3	1/2	12
5	3	5/8	16
6	3.5	3/4	20
7	4	1	25
8	4	1 1/4	30
9	4.5	1 1/2	40
10	5	1 3/4	45
12	5.5	2	50
12	6	2 1/4	55
14	8	2 1/2	60
		2 3/4	70
		3	75
		3 1/2	90
		4	100
		4 1/2	110
		5	130
		6	150

Note: There is tradition of citing screw diameter in gauge & screw length in inches

Screw Portfolio


Screws	Page No.
Stainless Steel Screws	
CSK Saw Thread Magnetic & Non-magnetic Screw	37
Carbon Steel Screws	
CSK Saw Thread Screw	38
Self Drilling Screw with Rib	39
Handle Fixing Screw	39
Black Screws	
Blackodised CSK Chipboard Screw	40
Drywall Screw	40
Truss Head Screw	40
Accessories	
Drive Bit & Screw Driver	41

Carbon Steel Screw

CSK Saw Thread Screw

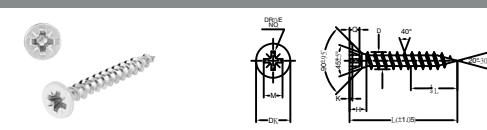


CSK Saw Thread Philips Drive Screw



Material : Steel Drive : Philips
 Finish : Zinc Coated Thread : Saw
 Head : Countersunk Packing : Retail

CSK Saw Thread Pozi Drive Screw



Material : Steel Drive : Pozi
 Finish : Zinc Coated Thread : Saw
 Head : Countersunk Packing : Retail

S.No.	Dimension	Size
1	Ø3 x 10	10/5
2	Ø3.0x12	12/5
3	Ø3.0x16	16/5
4	Ø3.5x12	12/6
5	Ø3.5x16	16/6
6	Ø3.5x20	20/6
7	Ø3.5x25	25/6
8	Ø3.5x30	30/6
9	Ø3.5x35	35/6
10	Ø3.5x40	40/6
11	Ø4.0x12	12/8
12	Ø4.0x16	16/8
13	Ø4.0x20	20/8
14	Ø4.0x25	25/8
15	Ø4.0x30	30/8
16	Ø4.0x35	35/8
17	Ø4.0x40	40/8
18	Ø4.0x50	50/8
19	Ø5.0x50	50/10
20	Ø5.0x60	60/10
21	Ø5.0x70	70/10
22	Ø5.0x80	80/10
23	Ø5.0x90	90/10
24	Ø5.0x100	100/10

Philips Drive			
Article No.	Unit	PU	MRP/100
-	-	-	-
928903800	Pc	1000	40
928908900	Pc	1000	50
928909400	Pc	1000	55
928909500	Pc	1000	60
928909600	Pc	1000	70
928909800	Pc	1000	75
928910000	Pc	1000	80
928910100	Pc	900	95
928910200	Pc	800	105
928910300	Pc	1000	60
928910400	Pc	800	70
928910600	Pc	1000	80
928910700	Pc	900	90
928910800	Pc	800	105
928911000	Pc	600	120
928911200	Pc	600	135
928911600	Pc	400	165
928911700	Pc	300	270
928911800	Pc	200	315
928911900	Pc	200	365
-	-	-	-
-	-	-	-
928912200	Pc	100	510

Pozi Drive			
Article No.	Unit	PU	MRP/100
916936900*	Pc	1000	62*
916237800	Pc	1000	95
916937000	Pc	1000	98
914809200	Pc	1000	100
913798000	Pc	1000	102
915382000	Pc	1000	108
916237900	Pc	1000	125
916238000	Pc	1000	142
916937100	Pc	1000	155
916238100	Pc	500	175
-	-	-	-
913799200	Pc	1000	127
913799100	Pc	1000	130
913799300	Pc	1000	150
914027200	Pc	1000	165
914027400	Pc	500	200
914027500	Pc	500	210
916937300	Pc	200	240
914809300	Pc	200	450
915382100	Pc	200	515
915382200	Pc	100	595
916937600	Pc	100	725
916937800	Pc	100	865
916938000	Pc	100	999

Carbon Steel Screw

Self Drilling Screw with Rib

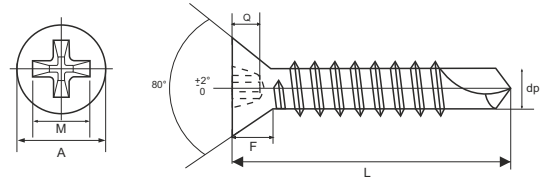
Handle Fixing Screw



Self Drilling Screw with Rib



Material : Steel
 Finish : Zinc
 Head : Countersunk
 Drive : Philips
 Thread : Self Drilling
 Packing : Retail

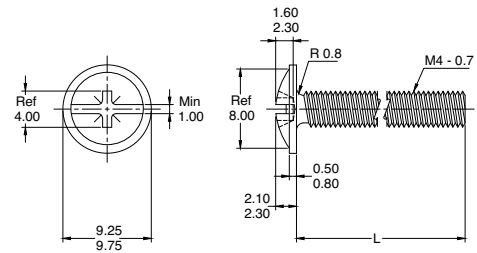


S.No.	Dimension	Size	Article No.	Unit	PU	MRP/100
1	Ø3.5 x 13	13/6	926108200	Pc	1000	85
2	Ø3.5 x 16	16/6	926108300	Pc	1000	92
3	Ø3.5 x 19	19/6	926108400	Pc	1000	99
4	Ø3.5 x 25	25/6	926108600	Pc	1000	110
5	Ø3.5 x 32	32/6	926108700	Pc	1000	135
6	Ø4.2 x 13	13/8	926109100	Pc	1000	102
7	Ø4.2 X 16	16/8	926109200	Pc	1000	113
8	Ø4.2 X 19	19/8	926109300	Pc	1000	115
9	Ø4.2 X 25	25/8	926109400	Pc	1000	137
10	Ø4.2 x 32	32/8	926109500	Pc	500	168
11	Ø4.2 x 40	40/8	926109700	Pc	500	208
12	Ø4.2 x 50	50/8	926120800	Pc	500	240
13	Ø4.8 x 50	50/10	926121200	Pc	300	350
14	Ø4.8 x 70	70/10	926121400	Pc	350	470
15	Ø4.8 x100	100/10	926121500	Pc	200	670

Handle Fixing Screw - Retail Packing



Material : Steel
 Finish : Zinc Coated
 Head : Pan Head
 Drive : Cross recessed
 Thread : M4
 Packing : Retail



S.No.	Dimension	Size	Article No.	Unit	PU	MRP/100
1	M4 x 22	22/8	71549	Pc	1000	205
2	M4 x 24	24/8	71555	Pc	1000	210
3	M4 x 26	26/8	71556	Pc	1000	225
4	M4 x 28	28/8	71557	Pc	500	235
5	M4 x 30	30/8	71558	Pc	500	255
6	M4 x 32	32/8	71559	Pc	500	265
7	M4 x 34	34/8	71560	Pc	500	275
8	M4 x 36	36/8	71561	Pc	500	285
9	M4 x 38	38/8	71562	Pc	500	300
10	M4 x 50	50/8	9184222	Pc	200	375

Black Screws

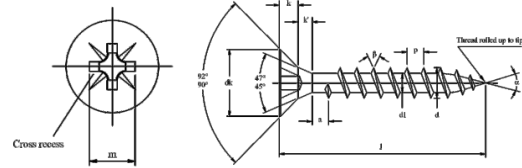
Blackodised CSK Chipboard Screw
Drywall Screw & Truss Head Screws



Blackodised CSK Chipboard Screw - Retail Packing



Material : Steel
Finish : Blackodised
Head : Countersunk
Drive : Pozi
Thread : Regular
Packing : Retail

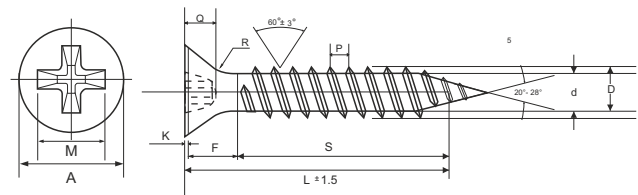


S.No.	Dimension	Size	Article No.	Unit	PU	MRP/100
1	Ø3.5 x 12	12/6	541212040	Pc	1000	49*
2	Ø3.5 x 16	16/6	541212050	Pc	1000	60
3	Ø3.5 x 20	20/6	541212060	Pc	1000	63
4	Ø3.5 x 25	25/6	541212070	Pc	1000	66
5	Ø3.5 x 30	30/6	541212080	Pc	1000	74
6	Ø3.5 x 35	35/6	541212090	Pc	1000	82
7	Ø4.0 x 16	16/8	541212120	Pc	1000	66
8	Ø4.0 x 20	20/8	541212130	Pc	1000	74
9	Ø4.0 x 25	25/8	541212140	Pc	1000	82
10	Ø4.0 x 30	30/8	541212150	Pc	1000	96
11	Ø4.0 x 35	35/8	541212160	Pc	500	109
12	Ø4.0 x 40	40/8	541212170	Pc	500	121
13	Ø4.0 x 50	50/8	541212190	Pc	500	146

Drywall Screw - Retail Packing

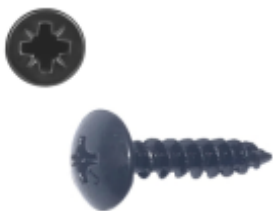


Material : Steel
Finish : Blackodised
Head : Countersunk
Drive : Philips Drive
Thread : Fine Thread
Packing : Retail

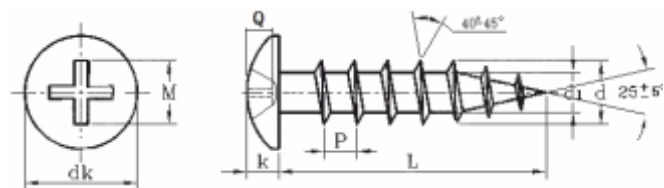


S.No.	Dimension	Size	Article No.	Unit	PU	MRP/100
1	Ø3.5x20	20/6	926247900	Pc	1000	57
2	Ø3.5x25	25/6	926248000	Pc	1000	65
3	Ø3.5x30	30/6	926251100	Pc	1000	78
4	Ø3.5x35	35/6	926251200	Pc	1000	89
5	Ø3.5x40	40/6	926251300	Pc	500	97
6	Ø3.5x50	50/6	926251500	Pc	500	120

Truss Head screws - Retail Packing



Material : Steel
Finish : Black
Head : Truss Head
Drive : Philips
Thread : Regular
Packing : Retail



S.No.	Dimension	Size	Article No.	Unit	PU	MRP/100
1	Ø4.0 x 13	13/8	928060300	Pc	1000	59
2	Ø4.0 x 16	16/8	928060400	Pc	1000	61
3	Ø4.0 x 20	20/8	928060500	Pc	1000	77
4	Ø4.0 x 25	25/8	928060600	Pc	1000	92
5	Ø4.0 x 30	30/8	928060700	Pc	1000	106
6	Ø4.0 x 50	50/8	928060900	Pc	500	168
7	Ø5.0 x 50	50/10	928061000	Pc	500	265

Accessories

Drive Bit & Screw Driver



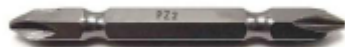
Drive Bit - 65 mm (Both Side) Pozi Drive



Material : Steel hardened
 Finish : Black
 Drive : Pozi Drive

S.No.	Description	Suitable for	Article No.	Unit	PU	MRP/Pc
1	PZD -1 Screwdrive bits H1/4*65mm PZ1	≤ 3 mm dia	925467100	Pc	10	80
2	PZD - 2 Screwdrive bits H1/4*65mm PZ2	3.5 - 5 mm dia	925467200	Pc	10	80
3	PZD - 3 Screwdrive bits H1/4*65mm PZ3	≥ 5 mm dia	925467300	Pc	10	80

Drive Bit - 65mm (Both Side) Phillips Drive



Material : Steel hardened
 Finish : Black
 Drive : Phillips Drive

S.No.	Description	Suitable for	Article No.	Unit	PU	MRP/Pc
1	PHD - 2 Screw Drive Bits H1 / 4*65mm PH2	3.5 - 5 mm dia	927324600	Pc	10	80

Screw Driver



Material : Steel hardened
 Drive : Pozi Drive

S.No.	Description	Suitable for	Dimension	Article No.	Unit	PU	MRP/Pc
1	Screws Driver	3.5 - 5 mm dia	PZ 2	919326000	Pc	1	200

Notes

A series of horizontal dotted lines for writing notes.

Contact Us

Ahmedabad	9664813232
Bangalore	7338183871
Chennai	9739538886
Coimbatore	8940898037
Delhi	8287257534
Ghaziabad	9910117185
Hyderabad	9703739590
Indore	7869271060
Jaipur	8657512894
Kanpur	8657514175
Karnal	9812282005
Kolkata	8291823966
Lucknow	9696578877
Mumbai	9545876760
Nagpur	9960237771
Patiala	9136016414
Patna	8657505171
Pune	8668989806
Ranchi	8097464013
Vijawada	9704578837

Registered Office:

Hepo India Private Limited
A-26/4, 1st floor,
Mohan Co-operative Industrial Estate,
New Delhi - 110 044
Phone: +91 11 4889 4000, 4889 4005
Fax: +91 11 4889 4044

Head Office:

Hepo India Private Limited
402, 4th floor, Durolite House,
Opp. SAB TV, New Link Road,
Andheri (West), Mumbai - 400 053
Phone: +91 22 2674 3289/3356/4089
Fax: +91 22 2674 3267

Enquiry & Customer Services

Toll Free : 1800 209 2096 (office hours)
customer_services@hepoindia.com
www.hepoindia.com

