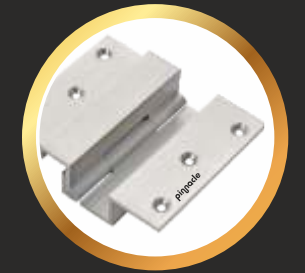


W.E.F. 1-1-2020



pinnacle[®]
EXCLUSIVE BRASS FITTING

*Crafted for
Class People* ...



PRODUCT RANGE
BRASS
ALUMINIUM
STEEL

pinnacle[®]
EXCLUSIVE BRASS FITTING

MASKATI
Brass Hardware Industries
Email : maskatibrass@gmail.com
www.maskatibrass.com

DEALER / DISTRIBUTOR



★ 100% ★
**VIRGIN
BRASS**



ABOUT US

pinacle® - As the name goes is the peak one can achieve in terms of overall Quality. The summit that has been scaled, has not happened overnight. It is a result of persistent efforts taken with diligence in that one direction over a period of time. We shall try to summarize it below.

BRIEF HISTORY

MASKATI BRASS HARDWARE INDUSTRIES was established in the Year 1975. We started with a small unit and a small range of *Brass Hardware*. We always had the penchant to try new things, making us the pioneers to introduce latest manufacturing technology and thereby increasing our product range and in the process become the *leading manufacturer of Hardware Products*. Thanks to our sound *Internal Quality Control System*, in a very short time-period we had a strong customer base all over India.

This shows the flexibility of our organization to handle various customer requirements like special packaging needs, branding and other customized solution.

We cheerfully avail this opportunity to express our most sincere thanks to our present clientele all over India with whom we share a special bonding. We truly treasure & take pride in this special bonding.

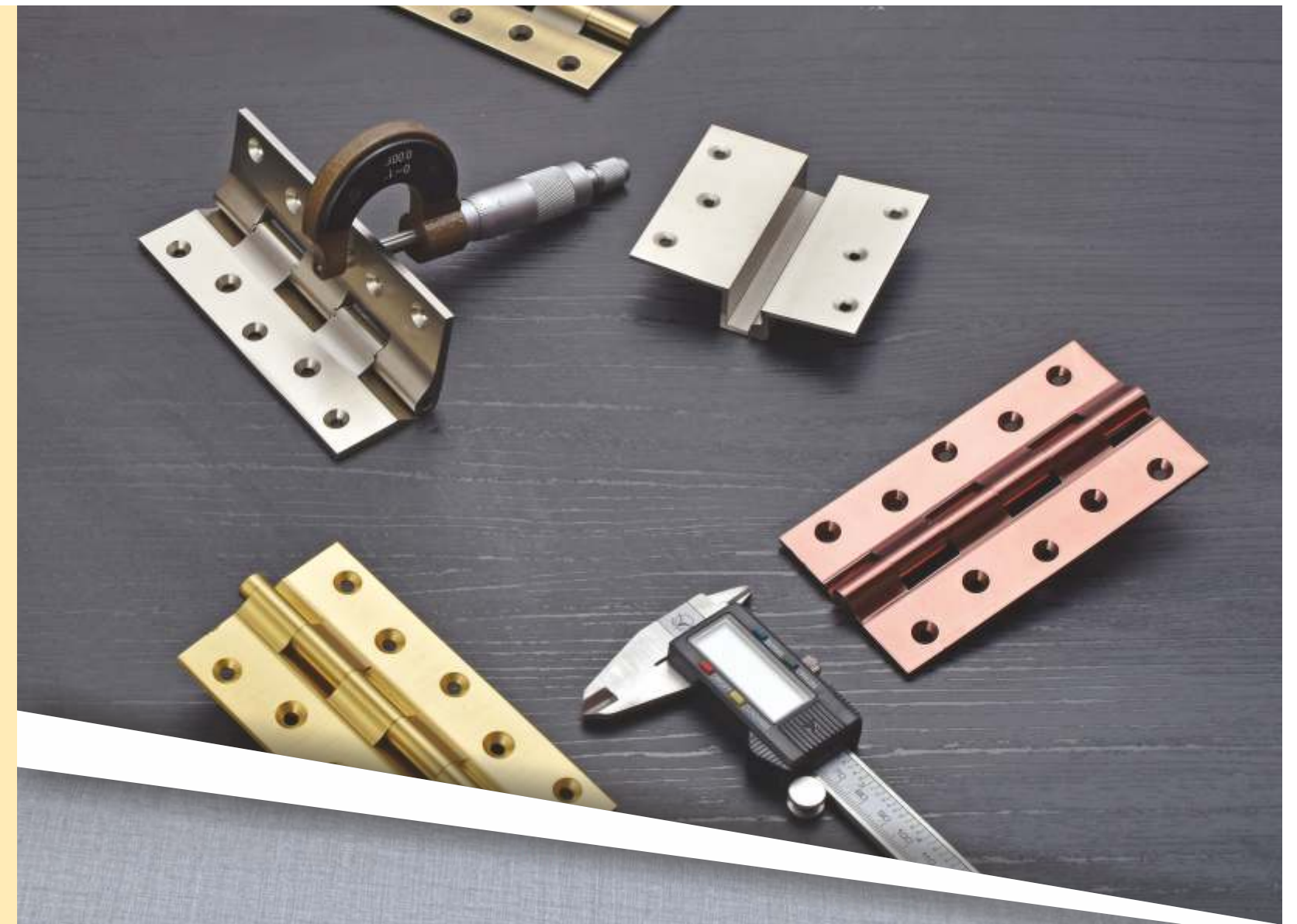
FUTURE VISOIN

Our vision is to grow as an organization expanding our horizons by developing newer markets & products, keeping our basic core value intact: (Which we believe has been the key to our growth)

- HONEST PRICING
- STRICT ADHERENCE TO QUALITY REQUIREMENTS
- TIMELY DELIVERY
- TRANSPARENCY IN DEALINGS

PROCESS - RAW MATERIAL TO PACKING

Scrap used in manufacturing **pinacle**® brand material is UK Honey & above quality only. We melt brass at 900c and extruding the rod at 250 ton's pressure. Metalab testing after every batch. Drawing the rods from high efficiency drawing machine. Cutting, Slotting, Hole & Other Process by semi & fully automatic machines. Plating (Electrophoretically Lacquer) & Exclusive Packing.



Hinge	01 To 04
Tower Bolt	05
Accessories	06
Julla Fittings	07
Aluminium Hardware...	09 To 14
Steel Hardware	15 - 16



Butt Hinge



Cut Hinge



Railway Hinge

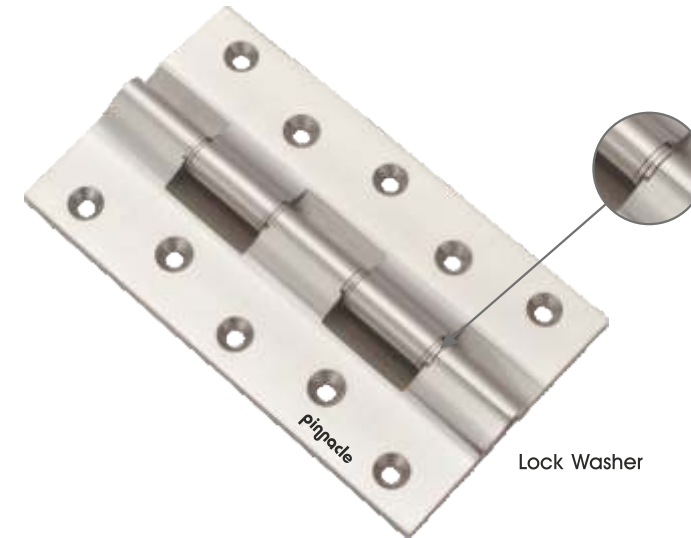
HINGE

BUTT HINGE (SMOOTH)

CODE	SIZE IN INCH	SS FINISH	ANTIQUE
SB1	3" x 3/8 x 5/8	74	76
SB2	3" x 1/2 x 3/4 (.700)	86	88
SB3	3" x 3/4 x 3/4 (.800)	100	103
SB4	3" x 1/2 x 1	104	107
SB5	3" x 3/4 x 1	110	113
SB6	3" x 1 x 1	123	126
SB7	4" x 3/8 x 5/8	101	103
SB8	4" x 1/2 x 3/4	117	119
SB9	4" x 3/4 x 3/4	133	137
SB10	4" x 1/2 x 1	139	143
SB11	4" x 3/4 x 1	147	151
SB12	4" x 1 x 1	164	168

RAILWAY HINGES (SMOOTH)

CODE	SIZE IN INCH	SS FINISH	ANTIQUE
SM1	3" x 3/4 x 3/4 x 3/32 (.800)	101	103
SM2	3" x 7/8 x 1/8 (1.100)	135	139
SM3	4" x 7/8 x 1/8	181	186
SM4	4" x 1 x 5/32	248	256
SM5	5" x 1 x 5/32 (2.900)	310	320
SM6	4" x 1.1/8 x 1/8	252	260
SM7	5" x 1.1/8 x 1/8 (3.000)	316	326
SM8	6" x 1.1/8 x 1/8	379	391
SM9	4" x 1.1/8 x 5/32	295	304
SM10	5" x 1.1/8 x 5/32 (3.500)	368	380
SM11	6" x 1.1/8 x 5/32	442	456
SM12	4" x 1.1/4 x 5/32 (M)	324	334
SM13	5" x 1.1/4 x 5/32 (M) (3.800)	405	418
SM14	6" x 1.1/4 x 5/32 (M)	486	501
SM15	4" x 1.1/4 x 5/32	353	365
SM16	5" x 1.1/4 x 5/32 (4.150)	442	456
SM17	6" x 1.1/4 x 5/32	530	547
SM18	4" x 1.1/4 x 3/16	421	434
SM19	5" x 1.1/4 x 3/16 (4.950)	526	543
SM20	6" x 1.1/4 x 3/16	631	651
SM21	8" x 1.1/4 x 3/16	1017	1043
SM22	4" x 1.1/2 x 5/32	408	421
SM23	5" x 1.1/2 x 5/32 (4.800)	510	526
SM24	6" x 1.1/2 x 5/32	612	631
SM25	4" x 1.1/2 x 3/16	454	469
SM26	5" x 1.1/2 x 3/16 (5.400)	568	586
SM27	6" x 1.1/2 x 3/16	682	703
SM28	8" x 1.1/2 x 3/16	1049	1077
SM29	5" X 2 X 3/16 (6.500)	755	776
SM30	6" X 2 X 3/16	906	932
SM31	8" X 2 X 3/16	1316	1350



Lock Washer



L Hinge (6MM)



L Hinge (19 MM)

HINGE

LOCK WASHER (SMOOTH)

CODE	SIZE IN INCH	SS FINISH	ANTIQUE
SLW1	4" x 1.1/8 x 5/32	376	385
SLW2	5" x 1.1/8 x 5/32 (3.500)	469	481
SLW3	6" x 1.1/8 x 5/32	563	578
SLW4	4" x 1.1/4 x 5/32	438	449
SLW5	5" x 1.1/4 x 5/32 (4.100)	548	562
SLW6	6" x 1.1/4 x 5/32	657	674
SLW7	4" x 1.1/2 x 5/32	522	535
SLW8	5" x 1.1/2 x 5/32 (4.900)	652	669
SLW9	6" x 1.1/2 x 5/32	782	802
SLW10	4" x 1.1/2 x 3/16	626	642
SLW11	5" x 1.1/2 x 3/16 (5.900)	782	802
SLW12	6" x 1.1/2 x 3/16	945	969
SLW13	8" x 1.1/2 x 3/16	1478	1509
SLW14	5" x 2 x 3/16 (7.100)	1057	1081
SLW15	6" x 2 x 3/16	1270	1299
SLW16	8" x 2 x 3/16	1805	1843

L - TYPE HINGES (SMOOTH)

CODE	SIZE IN INCH	SS FINISH
SL1	3" x 3/8 x 1.1/4 (6 MM)(1.100)	125
SL2	3" x 3/8 x 1.1/4 (12 MM)	139
SL3	3" x 3/8 x 1.1/4 (19 MM)	154
SL4	3" x 1/2 x 1.1/2 (6 MM)(1.250)	143
SL5	3" x 1/2 x 1.1/2 (12 MM)	163
SL6	3" x 1/2 x 1.1/2 (19 MM)	178
SL7	3" x 1/2 x 1.1/2 (25 MM)	203
SL8	3" x 3/4 x 1.3/4 (6 MM)(1.500)	171
SL9	3" x 3/4 x 1.3/4 (12 MM)	186
SL10	3" x 3/4 x 1.3/4 (19 MM)	201
SL11	3" x 3/4 x 1.3/4 (25 MM)	227
SL12	4" x 3/8 x 1.1/4 (6 MM)	171
SL13	4" x 3/8 x 1.1/4 (12 MM)	189
SL14	4" x 3/8 x 1.1/4 (19 MM)	209
SL15	4" x 1/2 x 1.1/2 (6 MM)	193
SL16	4" x 1/2 x 1.1/2 (12 MM)	220
SL17	4" x 1/2 x 1.1/2 (19 MM)	240
SL18	4" x 1/2 x 1.1/2 (25 MM)	274
SL19	4" x 3/4 x 1.3/4 (6 MM)	231
SL20	4" x 3/4 x 1.3/4 (12 MM)	251
SL21	4" x 3/4 x 1.3/4 (19 MM)	272
SL22	4" x 3/4 x 1.3/4 (25 MM)	306
SL23	4" x 1 x 2 (6 MM)	337
SL24	4" x 1 x 2 (12 MM)	368
SL25	4" x 1 x 2 (19 MM)	401
SL26	4" x 1 x 2 (25 MM)	433

HINGE

2IN1 OR W TYPE HINGES (SMOOTH)

CODE	SIZE IN INCH	SS FINISH
SW1	3" x 3/8 x 1.1/4 (6 MM)(1.550)	184
SW2	3" x 3/8 x 1.1/4 (12 MM)	195
SW3	3" x 3/8 x 1.1/4 (19 MM)	213
SW4	3" x 1/2 x 1.1/2 (6 MM)(1.650)	201
SW5	3" x 1/2 x 1.1/2 (12 MM)	213
SW6	3" x 1/2 x 1.1/2 (19 MM)	219
SW7	3" x 1/2 x 1.1/2 (25 MM)	250
SW8	3" x 3/4 x 1.3/4 (6 MM)(1.800)	219
SW9	3" x 3/4 x 1.3/4 (12 MM)	231
SW10	3" x 3/4 x 1.3/4 (19 MM)	243
SW11	3" x 3/4 x 1.3/4 (25 MM)	269
SW12	4" x 3/8 x 1.1/4 (6 MM)	245
SW13	4" x 3/8 x 1.1/4 (12 MM)	260
SW14	4" x 3/8 x 1.1/4 (19 MM)	284
SW15	4" x 1/2 x 1.1/2 (6 MM)	268
SW16	4" x 1/2 x 1.1/2 (12 MM)	284
SW17	4" x 1/2 x 1.1/2 (19 MM)	292
SW18	4" x 1/2 x 1.1/2 (25 MM)	333
SW19	4" x 3/4 x 1.3/4 (6 MM)	292
SW20	4" x 3/4 x 1.3/4 (12 MM)	308
SW21	4" x 3/4 x 1.3/4 (19 MM)	323
SW22	4" x 3/4 x 1.3/4 (25 MM)	358
SW23	4" x 1 x 2 (6 MM)	446
SW24	4" x 1 x 2 (12 MM)	463
SW25	4" x 1 x 2 (19 MM)	481
SW26	4" x 1 x 2 (25 MM)	515

W TYPE HINGES (SMOOTH)

CODE	SIZE IN INCH	SS FINISH
SW27	2" (.100 Gms)	142
SW28	3" (.135 Gms)	192
SW29	3" (.150 Gms)	213
SW30	3" (.180 Gms)	256
SW31	4" (.200 Gms)	284

Z TYPE HINGES

CODE	SIZE IN INCH	SS FINISH
SZ1	3" x 1/2 (1.100)	135
SZ2	3" x 3/4	160
SZ3	4" x 1/2	182
SZ4	4" x 3/4	215



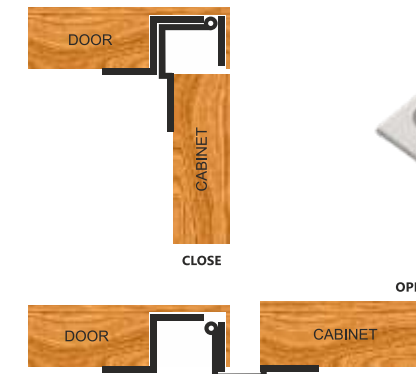
HINGE

DUCK HINGES (SMOOTH)

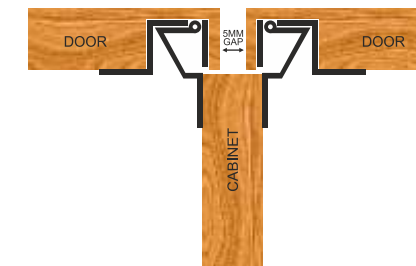
CODE	SIZE IN INCH	SS FINISH
SD1	3" x 19 (F) x 19 (D) (HALF)	347
SD2	3" x 19 (F) x 19 (D) (FULL)	347
SD3	4" x 19 (F) x 19 (D) (HALF)	469
SD4	4" x 19 (F) x 19 (D) (FULL)	469
SD5	3" x 25 (F) x 25 (D) (HALF)	447
SD6	3" x 25 (F) x 25 (D) (FULL)	447
SD7	4" x 25 (F) x 25 (D) (HALF)	599
SD8	4" x 25 (F) x 25 (D) (FULL)	599
SD9	3" x 25 (F) x 19 (D) (HALF)	483
SD10	3" x 25 (F) x 19 (D) (FULL)	465
SD11	4" x 25 (F) x 19 (D) (HALF)	626
SD12	4" x 25 (F) x 19 (D) (FULL)	608
SD13	3" x 19 (F) x 25 (D) (HALF)	358
SD14	3" x 19 (F) x 25 (D) (FULL)	358
SD15	4" x 19 (F) x 25 (D) (HALF)	483
SD16	4" x 19 (F) x 25 (D) (FULL)	483

(F = FRAME & D = DOOR)

FULL OVERLAY (TOP VIEW) :



HALF OVERLAY (TOP VIEW) :



BEARING HINGES

CODE	SIZE IN INCH	SS FINISH	ANTIQUE
BR1	3" x 2 x 2.5 MM	173	178
BR2	4" x 3 x 3 MM	331	340
BR3	5" x 3 x 3 MM (3.550)	410	422
BR4	6" x 3 x 3 MM	496	510
BR5	4" x 3 x 4 MM	399	410
BR6	5" x 3 x 4 MM (4.300)	502	516
BR7	6" x 3 x 4 MM	604	621
BR8	5" x 3 x 5 MM (5.500)	687	706
BR9	6" x 3 x 5 MM	832	854
BR10	8" x 3 x 5 MM	1190	1220
BR11	5" x 3.5 x 5 MM (6.800)	832	854
BR12	6" x 3.5 x 5 MM	1000	1028
BR13	8" x 3.5 x 5 MM	1471	1507
BR14	4" x 4 x 4 MM	590	605
BR15	5" x 4 x 4 MM (5.650)	737	756
BR16	6" x 4 x 4 MM	885	907
BR17	8" x 4 x 4 MM	1243	1274
BR18	5" x 4 x 5 MM (7.300)	949	974
BR19	6" x 4 x 5 MM	1106	1135
BR20	8" x 4 x 5 MM	1658	1698



Tower Bolt - 9 MM

Tower Bolt - 10 MM



Marble TB



Round TB - 12 MM

Xylo - 9 MM

TOWER BOLT

TOWER BOLT - 9 MM (1 PCS.)

CODE	SIZE IN INCH	SS FINISH	ANTIQUE
TB1	4" (1.600)	184	189
TB2	6"	276	284
TB3	8"	368	379
TB4	10"	460	473
TB5	12"	552	568

TOWER BOLT - 10 MM (2 PCS.)

CODE	SIZE IN INCH	SS FINISH	ANTIQUE
TB6	4" (2.200)	265	272
TB7	6"	397	408
TB8	8"	529	544
TB9	10"	662	681
TB10	12"	794	817
TB11	15"	1084	1113
TB12	18"	1301	1336
TB13	24"	1828	1875

TOWER BOLT - 12 MM (1 PCS.)

CODE	SIZE IN INCH	SS FINISH	ANTIQUE
TB14	4" (2.800)	307	316
TB15	6"	460	474
TB16	8"	614	632
TB17	10"	767	790
TB18	12"	921	948
TB19	15"	1237	1272
TB20	18"	1484	1527
TB21	24"	2055	2112
TB22	30"	2758	2830
TB23	36"	3310	3396
TB24	48"	4566	4680

MARBLE TB (HEAVY)

CODE	SIZE IN INCH	SS FINISH	ANTIQUE
TB25	4" (1.600)	199	204
TB26	6"	298	306
TB27	8"	398	409
TB28	10"	497	511
TB29	12"	597	613
TB30	15"	888	910
TB31	18"	1095	1122
TB32	24"	1490	1527

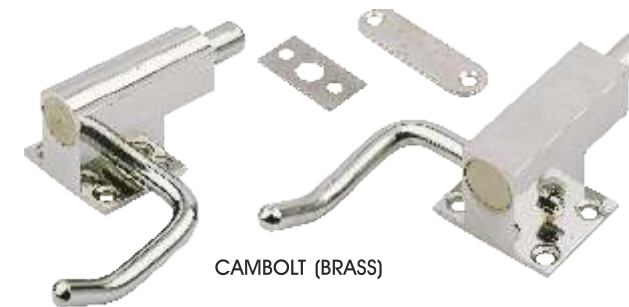
XYLO TOWER BOLT - 9 MM

CODE	SIZE IN INCH	SS FINISH	ANTIQUE
TB33	4" (2.800)	356	366
TB34	6"	534	548
TB35	8"	712	731
TB36	10"	890	914
TB37	12"	1068	1096
TB38	15"	1626	1662
TB39	18"	2025	2069
TB40	24"	2798	2857

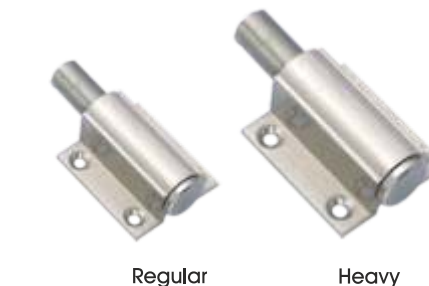


Deluxe BL

Hole To Glass



CAMBOLT (BRASS)



Regular

Heavy



Round Head



L Bat



Fancy Gate Hook



Bottom Kada

Selling Kada

S Hook

9 Hook

ACCESSORIES

GLASS HINGES

CODE	SIZE IN INCH	SS FINISH	CP FINISH
GH1	Heavy	163	184

BRASS BABY LATCH

CODE	SIZE IN INCH	SS FINISH	ANTIQUE
BL1	Deluxe Baby Latch - 3"	204	209
BL2	Deluxe Baby Latch - 4"	272	278

CAM BOLT (RATE PER PAIR)

CODE	SIZE IN INCH	SS FINISH	CP FINISH
CB1	Round (Heavy)	355	381
CB2	Square (Heavy)	368	395

PUSH PULL MAGNET

CODE	SIZE IN INCH	SS FINISH	ANTIQUE
PM1	Round (Medium)	110	124
PM2	Round (Heavy)	137	150

BRASS FANCY BAT

CODE	SIZE IN INCH	SS FINISH	CP FINISH
RB1	Round (Fancy)	21	21
LB1	L - Bat (Single Hole)	21	21
LB2	L - Bat (Double Hole)	32	32

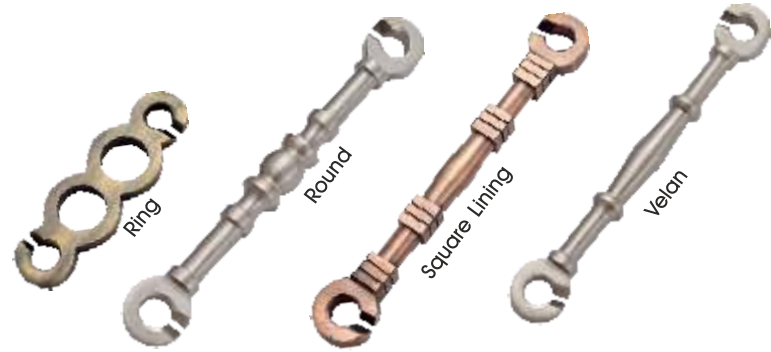
GATE HOOK (FANCY)

CODE	SIZE IN INCH	SS FINISH	ANTIQUE
GH1	5"	106	110
GH2	6"	113	118
GH3	8"	128	133

JULLA FITTING

CODE	SIZE IN INCH	SS FINISH	ANTIQUE
JBK1	Bottom Kada (4 Pcs.)	2441	2498
JSK1	Selling Kada (2 Pcs.)	3106	3175
JSH1	S Hook (1 Pcs.)	204	209
JSH2	9 Hook (1 Pcs.)	268	274

Julla Saliya



Animal Julla Set



Peacock Parrot Elephant Horse Lion Queen

JULLA FITTINGS

JULLA SALIYA (REGULAR 12") RATE PER SET

CODE	SIZE IN INCH	SS FINISH	ANTIQUE
JS1	Mala Goti	15188	15602
JS2	Mala Varam	14465	14860
JS3	Varam	14899	15305
JS4	Mala	15333	15751
JS5	Deluxe	15044	15454
JS6	Madhuri	17286	17757

SET CONTAINS = 28 SALIYA + 8 "S" HOOK

Julla Saliya (Fancy 4") RATE PER PCS.

CODE	SIZE IN INCH	SS FINISH	ANTIQUE
JT1	Georgian	256	262
JT2	Goli	248	254

SET CONTAINS = 84 TOYS + 8 "S" HOOK

Julla Saliya (Fancy 6") RATE PER PCS.

CODE	SIZE IN INCH	SS FINISH	ANTIQUE
JT3	Royal	451	460
JT4	Flower	423	433
JT5	Sakarpara	441	451
JT6	Ring	366	373
JT7	Zen	464	473

SET CONTAINS = 56 SALIYA + 8 "S" HOOK

Julla Saliya (Fancy 8") RATE PER PCS.

CODE	SIZE IN INCH	SS FINISH	ANTIQUE
JT8	Royal	647	662
JT9	Round	630	644
JT10	Karas	612	626
JT11	Square Mala	577	590
JT12	Square Lining	621	635
JT13	Diamond	542	554
JT14	Velan	542	554

SET CONTAINS = 44 SALIYA + 8 "S" HOOK

JULLA SALIYA (FANCY 12") RATE PER PCS.

CODE	SIZE IN INCH	SS FINISH	ANTIQUE
JT15	Royal	838	857
JT16	Round	838	857
JT17	Karas	872	892
JT18	Ring	712	728
JT19	Zen	955	977

SET CONTAINS = 28 SALIYA + 8 "S" HOOK

ANIMAL JULLA SET (HEAVY) RATE PER SET

CODE	SIZE IN INCH	SS FINISH	ANTIQUE
JT20	Animal Set	33238	33940

SET CONTAINS : 16 ANIMALS + 68 KADI + 8 (HOOK)



Aluminium
Saction

ALUMINIUM TOWER BOLT

ALU. XYLO TOWER BOLT - 9 MM ROD

CODE	SIZE IN INCH	SS FINISH	ANTIQUÉ / COPPER / SATIN LAC. / GRAPHIC (BLACK)	PCS. PER BOX
ATB1	4"	95	110	15
ATB2	6"	143	165	12
ATB3	8"	190	220	12
ATB4	10"	238	275	12
ATB5	12"	285	330	12
ATB6	15"	356	413	6
ATB7	18"	428	495	6

ALU. POLO TOWER BOLT - 9 MM ROD

CODE	SIZE IN INCH	SS FINISH	ANTIQUÉ / COPPER / SATIN LAC. / GRAPHIC (BLACK)	PCS. PER BOX
ATB8	4"	95	110	15
ATB9	6"	143	165	12
ATB10	8"	190	220	12
ATB11	10"	238	275	12
ATB12	12"	285	330	12
ATB13	15"	356	413	6
ATB14	18"	428	495	6

ALU. ROYAL TOWER BOLT - 9 MM ROD

CODE	SIZE IN INCH	SS FINISH	ANTIQUÉ / COPPER / SATIN LAC. / GRAPHIC (BLACK)	PCS. PER BOX
ATB15	4"	95	110	15
ATB16	6"	143	165	12
ATB17	8"	190	220	12
ATB18	10"	238	275	12
ATB19	12"	285	330	12
ATB20	15"	356	413	6
ATB21	18"	428	495	6

ALU. ROYAL XYLO TOWER BOLT - 9 MM ROD

CODE	SIZE IN INCH	SS FINISH	ANTIQUÉ / COPPER / SATIN LAC. / GRAPHIC (BLACK)	PCS. PER BOX
ATB22	4"	110	125	12
ATB23	6"	165	188	10
ATB24	8"	220	250	10
ATB25	10"	275	313	10
ATB26	12"	330	375	10
ATB27	15"	413	469	6
ATB28	18"	495	563	6
ATB29	24"	660	750	6



Xylo Tower Bolt



Polo Tower Bolt



Royal Tower Bolt



Royal Xylo Tower Bolt

ALUMINIUM TOWER BOLT

ALU. ROUND TOWER BOLT - 9 MM ROD

CODE	SIZE IN INCH	SS FINISH	ANTIQUÉ / COPPER / SATIN LAC. / GRAPHIC (BLACK)	PCS. PER BOX
ATB30	4"	90	105	15
ATB31	6"	135	158	12
ATB32	8"	180	210	12
ATB33	10"	225	263	12
ATB34	12"	270	315	12
ATB35	15"	338	394	6
ATB36	18"	405	473	6

ALU. ROUND TOWER BOLT - 12 MM ROD

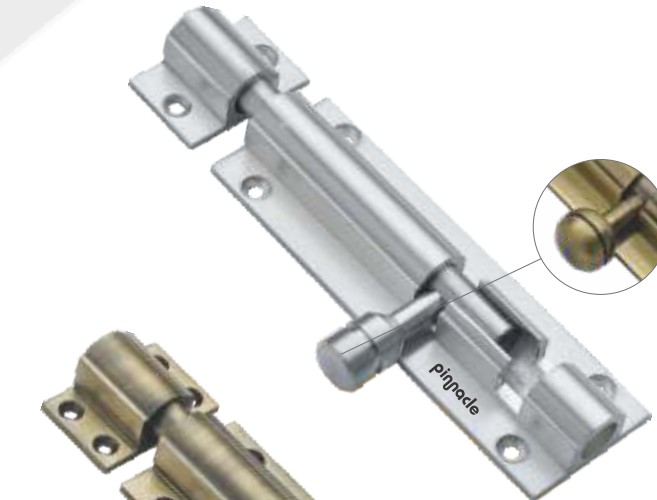
CODE	SIZE IN INCH	SS FINISH	ANTIQUÉ / COPPER / SATIN LAC. / GRAPHIC (BLACK)	PCS. PER BOX
ATB37	4"	115	130	10
ATB38	6"	173	195	8
ATB39	8"	230	260	8
ATB40	10"	288	325	8
ATB41	12"	345	390	8
ATB42	15"	431	488	4
ATB43	18"	518	585	4
ATB44	24"	690	780	4
ATB45	30"	863	975	2
ATB46	36"	1035	1170	2
ATB148	48"	1656	1872	2

ALU. SQUARE TOWER BOLT - 9 MM ROD

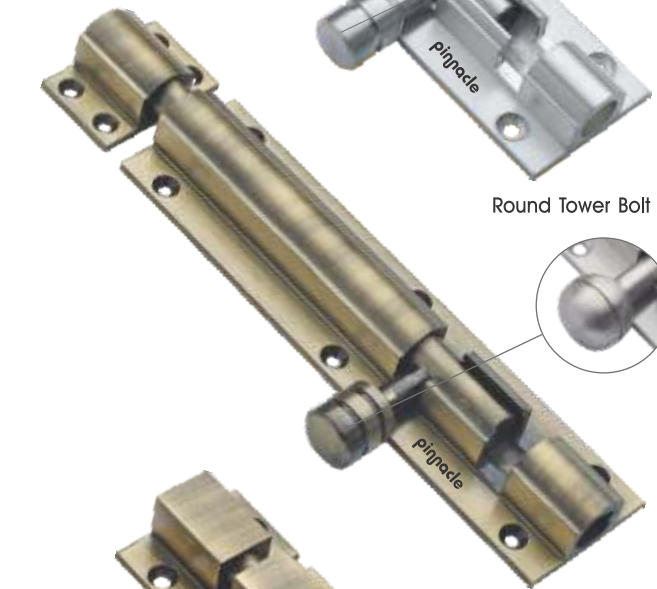
CODE	SIZE IN INCH	SS FINISH	ANTIQUÉ / COPPER / SATIN LAC. / GRAPHIC (BLACK)	PCS. PER BOX
ATB145	3"	86	98	20
ATB47	4"	100	115	15
ATB48	6"	150	173	12
ATB49	8"	200	230	12
ATB50	10"	250	288	12
ATB51	12"	300	345	12
ATB52	15"	375	431	6
ATB53	18"	450	518	6

ALU. SQUARE TOWER BOLT - 12 MM ROD

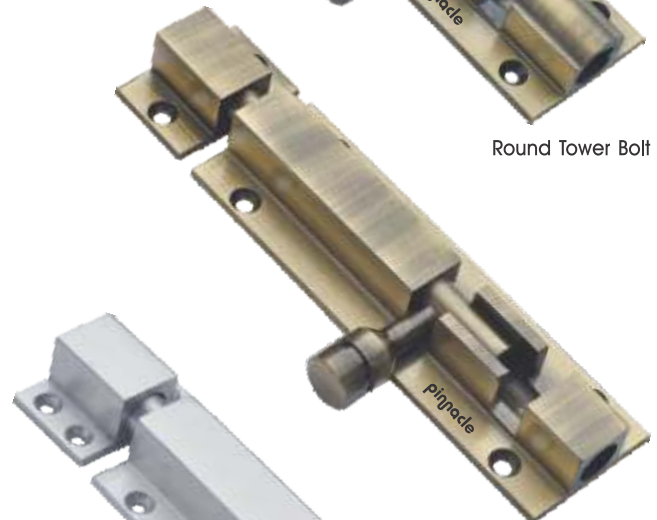
CODE	SIZE IN INCH	SS FINISH	ANTIQUÉ / COPPER / SATIN LAC. / GRAPHIC (BLACK)	PCS. PER BOX
ATB54	4"	130	145	10
ATB55	6"	195	218	8
ATB56	8"	260	290	8
ATB57	10"	325	363	8
ATB58	12"	390	435	8
ATB59	15"	488	544	4
ATB60	18"	585	653	4
ATB61	24"	780	870	4
ATB62	30"	975	1088	2
ATB63	36"	1170	1305	2
ATB151	48"	1872	2088	2



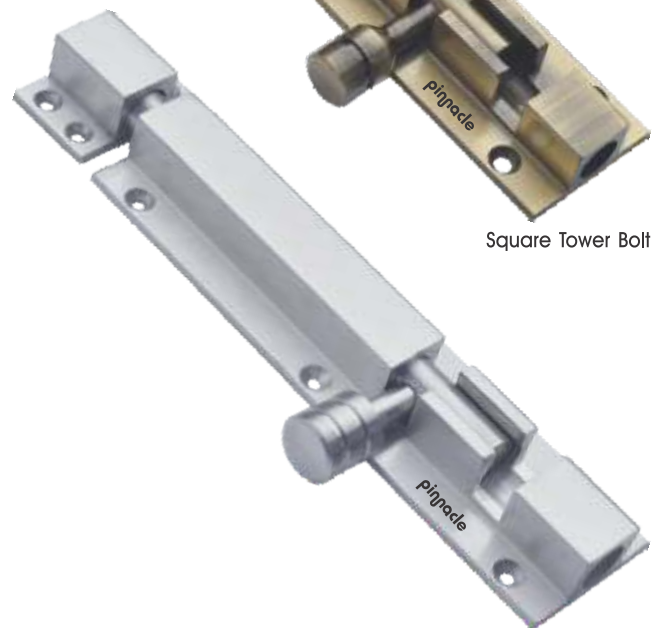
Round Tower Bolt



Round Tower Bolt



Square Tower Bolt



Square Tower Bolt

ALUMINIUM TOWER BOLT

ALU. V-HEX TOWER BOLT - 12 MM ROD

CODE	SIZE IN INCH	SS FINISH	ANTIQUÉ / COPPER / SATIN LAC. / GRAPHIC (BLACK)	PCS. PER BOX
ATB64	4"	115	130	12
ATB65	6"	173	195	8
ATB66	8"	230	260	8
ATB67	10"	288	325	8
ATB68	12"	345	390	8
ATB69	15"	431	488	4
ATB70	18"	518	585	4
ATB71	24"	690	780	4
ATB72	30"	863	975	2
ATB73	36"	1035	1170	2
ATB149	48"	1380	1560	2

ALU. BIG XYLO TOWER BOLT - 12 MM ROD

CODE	SIZE IN INCH	SS FINISH	ANTIQUÉ / COPPER / SATIN LAC. / GRAPHIC (BLACK)	PCS. PER BOX
ATB74	4"	210	240	6
ATB75	6"	315	360	6
ATB76	8"	420	480	6
ATB77	10"	525	600	6
ATB78	12"	630	720	6
ATB79	15"	788	900	4
ATB80	18"	945	1080	4
ATB81	24"	1260	1440	2
ATB82	30"	1575	1800	2
ATB83	36"	1890	2160	2
ATB150	48"	2520	2880	2

ALU. NEW MARBLE TOWER BOLT - 9 MM ROD

CODE	SIZE IN INCH	SS FINISH	ANTIQUÉ / COPPER / SATIN LAC. / GRAPHIC (BLACK)	PCS. PER BOX
ATB146	3"	109	120	12
ATB84	4"	130	145	10
ATB85	6"	195	218	8
ATB86	8"	260	290	8
ATB87	10"	325	363	8
ATB88	12"	390	435	8
ATB89	15"	488	544	4
ATB90	18"	585	653	4
ATB91	24"	780	870	4

ALUMINIUM TOWER BOLT

ALU. NEW MARBLE TOWER BOLT - 12 MM ROD

CODE	SIZE IN INCH	SS FINISH	ANTIQUÉ / COPPER / SATIN LAC. / GRAPHIC (BLACK)	PCS. PER BOX
ATB94	4"	170	185	6
ATB95	6"	255	278	6
ATB96	8"	340	370	6
ATB97	10"	425	463	6
ATB98	12"	510	555	4
ATB99	15"	638	694	4
ATB100	18"	765	833	4
ATB101	24"	1020	1110	2
ATB102	30"	1275	1388	2
ATB103	36"	1530	1665	2

ALU. APPLE TOWER BOLT - 9 MM ROD

CODE	SIZE IN INCH	SS FINISH	ANTIQUÉ / COPPER / SATIN LAC. / GRAPHIC (BLACK)	PCS. PER BOX
ATB104	4"	110	125	10
ATB105	6"	165	188	10
ATB106	8"	220	250	10
ATB107	10"	275	313	10
ATB108	12"	330	375	10
ATB109	15"	413	469	4
ATB110	18"	495	563	4
ATB111	24"	660	750	4

ALU. APPLE TOWER BOLT - 12 MM ROD

CODE	SIZE IN INCH	SS FINISH	ANTIQUÉ / COPPER / SATIN LAC. / GRAPHIC (BLACK)	PCS. PER BOX
ATB112	4"	140	155	6
ATB113	6"	210	233	6
ATB114	8"	280	310	6
ATB115	10"	350	388	6
ATB116	12"	420	465	6
ATB117	15"	525	581	4
ATB118	18"	630	698	4
ATB119	24"	840	930	4
ATB120	30"	1050	1163	2
ATB121	36"	1260	1395	2



V-HEX Tower Bolt



Big Xylo Tower Bolt



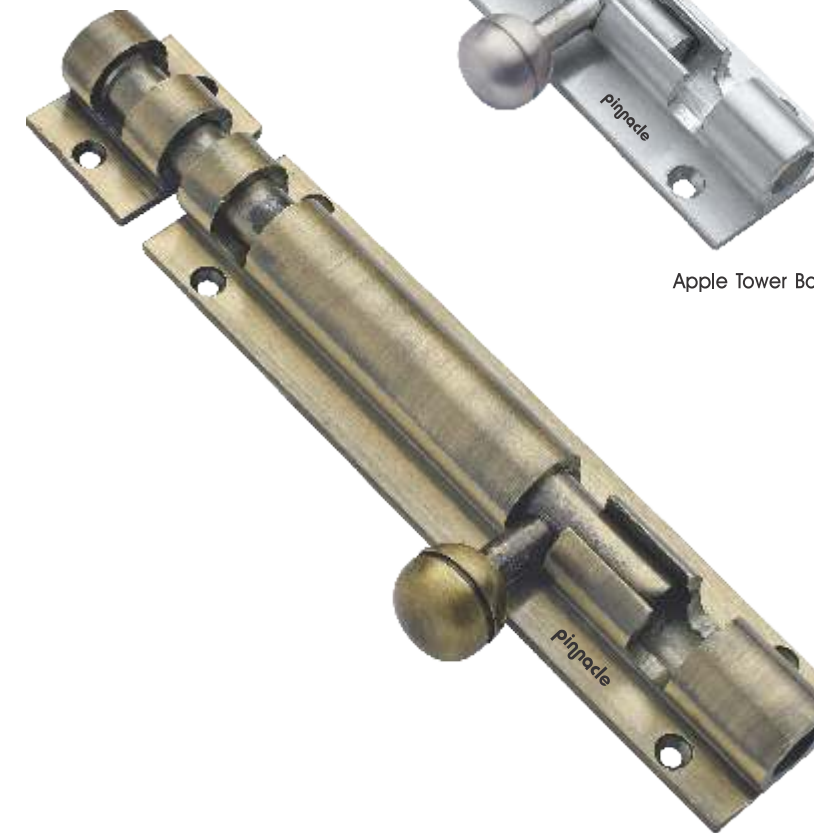
New Marble Tower Bolt



New Marble Tower Bolt



Apple Tower Bolt



Apple Tower Bolt

TOWER BOLT & BABY LATCH

ALU. AUDI TOWER BOLT - 9 MM ROD

CODE	SIZE IN INCH	SS FINISH	ANTIQU / COPPER / SATIN LAC. / GRAPHIC (BLACK)	PCS. PER BOX
ATB122	4"	100	115	10
ATB123	6"	150	173	10
ATB124	8"	200	230	10
ATB125	10"	250	288	10
ATB126	12"	300	345	10
ATB127	15"	375	431	4
ATB128	18"	450	518	4
ATB129	24"	600	690	4

ALU. AUDI TOWER BOLT - 12 MM ROD

CODE	SIZE IN INCH	SS FINISH	ANTIQU / COPPER / SATIN LAC. / GRAPHIC (BLACK)	PCS. PER BOX
ATB130	4"	135	150	6
ATB131	6"	203	225	6
ATB132	8"	270	300	6
ATB133	10"	338	375	6
ATB134	12"	405	450	6
ATB135	15"	506	563	4
ATB136	18"	608	675	4
ATB137	24"	810	900	4
ATB138	30"	1013	1125	2
ATB139	36"	1215	1350	2

ALU. XYLO B. LATCH

CODE	SIZE IN INCH	SS FINISH	ANTIQU / COPPER / SATIN LAC. / GRAPHIC (BLACK)	PCS. PER BOX
ABL1	3"	86	98	15
ABL2	4"	115	130	10

ALU. SQUARE B. LATCH

CODE	SIZE IN INCH	SS FINISH	ANTIQU / COPPER / SATIN LAC. / GRAPHIC (BLACK)	PCS. PER BOX
ABL3	3"	131	146	10
ABL4	4"	175	195	10

ALU. SQUARE BKT. (HEAVY)

CODE	SIZE IN INCH	SS FINISH	Antique/ Copper Atq./ Satin Lacker/ Graphite (Black)	PCS. PER BOX
ASB1	2" x 12 MM	35	43	48
ASB2	2" x 8 MM	35	43	60



Audi Tower Bolt

Audi Tower Bolt

Xylo Baby Latch

Square Baby Latch

Alu. Square Bkt. (Heavy)

BRACKET & KHUTTI

ALU. SQUARE BKT. (FANCY)

CODE	SIZE IN INCH	SS FINISH	Antique/ Copper Atq./ Satin Lacker/ Graphite (Black)	PCS. PER BOX
ASB3	2" x 12 MM	60	68	36
ASB4	2" x 8 MM	60	68	36

ALU. SQUARE KHUTTI

CODE	SIZE IN INCH	SS FINISH	ANTIQU	CP FINISH	PCS. PER BOX
AKS1	2 Hook	65	75	85	40
AKS2	3 Hook	98	113	128	20
AKS3	4 Hook	130	150	170	20
AKS4	5 Hook	163	188	213	10
AKS5	6 Hook	195	225	255	10
AKS6	8 Hook	260	300	340	10

ALU. KAJU KHUTTI

CODE	SIZE IN INCH	SS FINISH	ANTIQU	CP FINISH	PCS. PER BOX
AKK1	2 Hook	65	75	85	40
AKK2	3 Hook	98	113	128	20
AKK3	4 Hook	130	150	170	20
AKK4	5 Hook	163	188	213	10
AKK5	6 Hook	195	225	255	10
AKK6	8 Hook	260	300	340	10

ALU. J KHUTTI

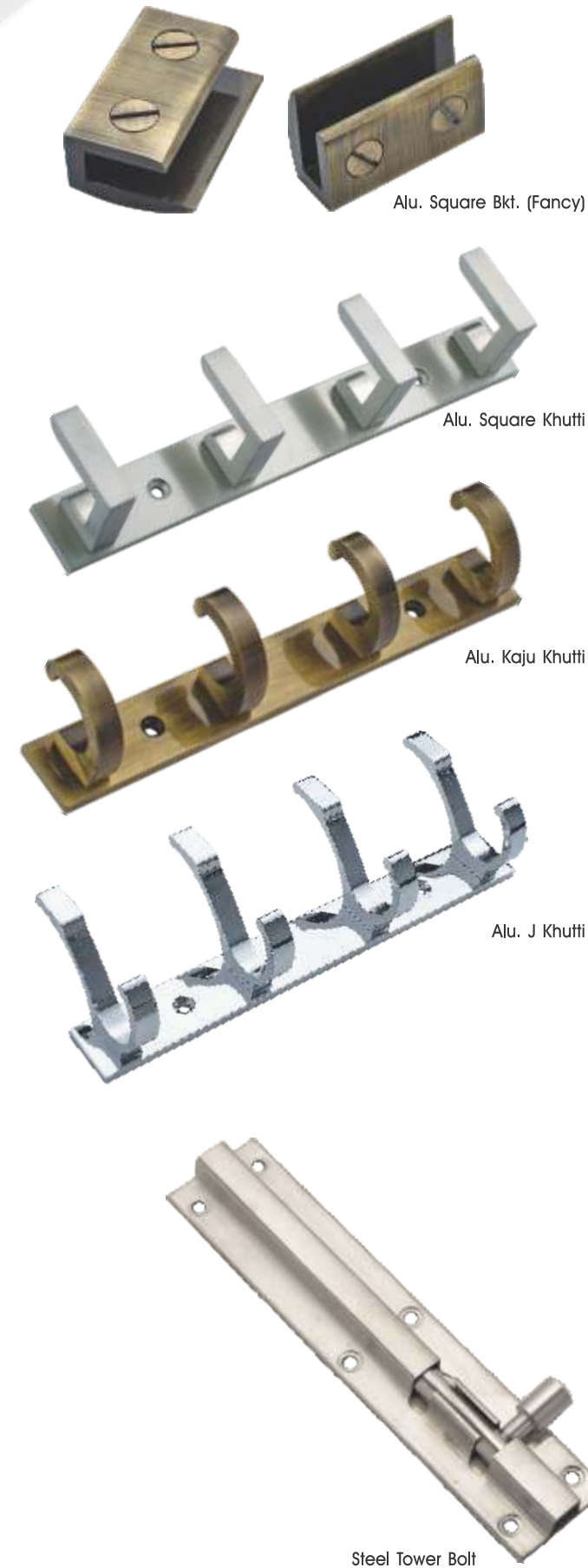
CODE	SIZE IN INCH	SS FINISH	ANTIQU	CP FINISH	PCS. PER BOX
AKJ1	2 Hook	75	85	95	24
AKJ2	3 Hook	113	128	143	12
AKJ3	4 Hook	150	170	190	12
AKJ4	5 Hook	188	213	238	6
AKJ5	6 Hook	225	255	285	6
AKJ6	8 Hook	300	340	380	6

STEEL T. BOLT - 9 MM

CODE	SIZE IN INCH	SS FINISH	ANTIQU	PCS. PER BOX
STB1	4"	55	70	24
STB2	6"	78	101	24
STB3	8"	104	134	24
STB4	10"	130	168	12
STB5	12"	156	201	12

STEEL T. BOLT - 10 MM

CODE	SIZE IN INCH	SS FINISH	ANTIQU	PCS. PER BOX
STB6	4"	60	75	24
STB7	6"	86	109	24
STB8	8"	115	145	24
STB9	10"	144	181	12
STB10	12"	173	218	12



Alu. Square Bkt. (Fancy)

Alu. Square Khutti

Alu. Kaju Khutti

Alu. J Khutti

Steel Tower Bolt

STEEL TOWER BOLT & HINGES

STEEL T. BOLT - MARBLE (STEEL L)

CODE	SIZE IN INCH	SS FINISH	ANTIQUE	PCS.PER BOX
STB11	4"	70	90	24
STB12	6"	105	135	24
STB13	8"	140	180	24
STB14	10"	175	225	12
STB15	12"	210	270	12

STEEL 10 MM (JOINT LESS)

CODE	SIZE IN INCH	SS FINISH	ANTIQUE	PCS.PER BOX
STB16	4"	117	141	15
STB17	6"	176	212	12
STB18	8"	234	282	12
STB19	10"	293	353	12
STB20	12"	351	423	12

STEEL 12 MM (JOINT LESS)

CODE	SIZE IN INCH	SS FINISH	ANTIQUE	PCS.PER BOX
STB21	4"	138	162	8
STB22	6"	207	243	8
STB23	8"	276	324	8
STB24	10"	345	405	8
STB25	12"	414	486	8

STEEL F - BKT - 9.5 MM (ADJUSTABLE)

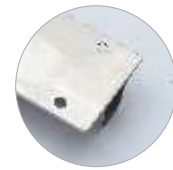
CODE	SIZE IN INCH	SS FINISH	ANTIQUE	PCS.PER BOX
SFB1	4" - (6 -12 MM)	80	100	24
SFB2	6" - (6 -12 MM)	98	128	12
SFB3	8" - (6 -12 MM)	113	153	12
SFB4	10" - (6 -12 MM)	128	178	12
SFB5	12" - (6 -12 MM)	143	203	12

STEEL BUTT HINGES (WELDED)

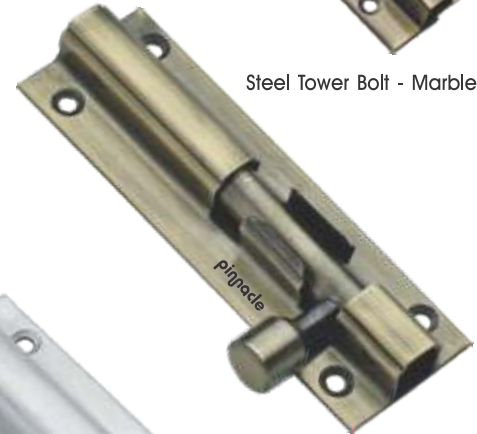
CODE	SIZE IN INCH	SS FINISH	ANTIQUE	PCS.PER BOX
SRH1	75 x 9 x 15 (3" x 3/8 x 5/8)	34	43	24
SRH2	100 x 9 x 15 (4" x 3/8 x 5/8)	38	49	24
SRH3	75 x 12 x 18 (3" x 1/2 x 3/4)	38	47	24
SRH4	100 x 12 x 18 (4" x 1/2 x 3/4)	41	53	24
SRH5	75 x 18 x 18 (3" x 3/4 x 3/4)	41	51	24
SRH6	100 x 18 x 18 (4" x 3/4 x 3/4)	44	57	24



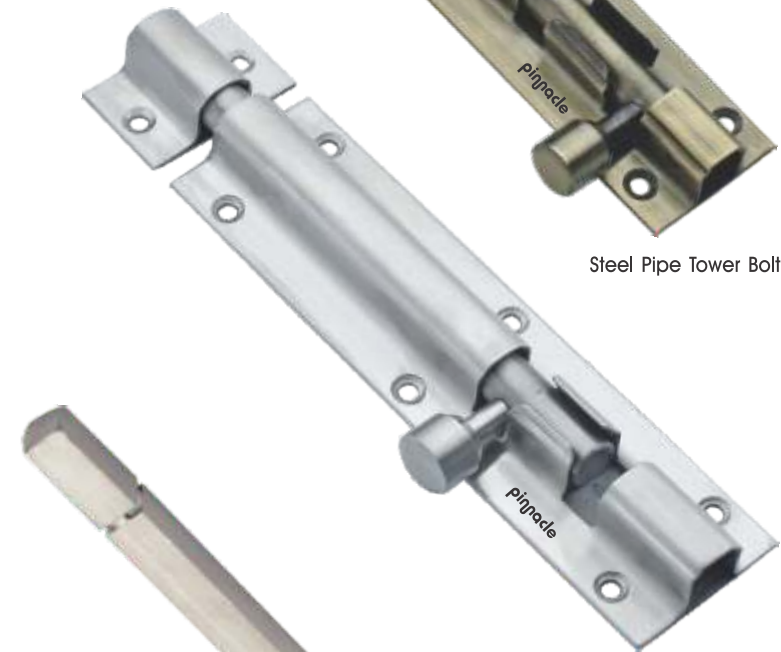
Steel Tower Bolt - Marble



Joint Less



Steel Pipe Tower Bolt



Steel Pipe Tower Bolt



Steel F - BKT

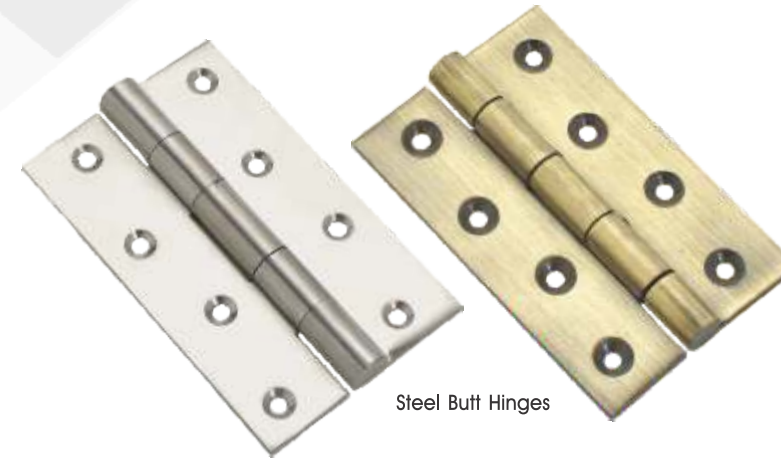


Steel Butt Hinges

STEEL ACCESSORIES

STEEL BUTT HINGES (WELDED)

CODE	SIZE IN INCH	SS FINISH	ANTIQUE	MATT ANTIQUE	PCS.PER BOX
SRH7	3" x 16	47	56	59	20
SRH8	3" x 14	50	61	64	20
SRH9	4" x 14	69	89	96	10
SRH10	5" x 14	92	119	130	10
SRH11	4" x 12	92	119	130	10
SRH12	5" x 12	111	146	160	10
SRH13	5" x 10	189	217	227	8
SRH14	6" x 10	235	270	283	8
SRH15	5" x 1.1/4	133	170	185	8
SRH16	6" x 1.1/4	160	205	223	8
SRH17	5" x 1.1/2	150	191	206	8
SRH18	6" x 1.1/2	181	232	251	8



Steel Butt Hinges



Steel Gate Hook



Steel Door Stoper



SL Bracket

STEEL G. HOOK (OVEL CHAPLA) (H)

CODE	SIZE IN INCH	SS FINISH	ANTIQUE	PCS.PER BOX
SGH1	2"	55	67	60
SGH2	2.1/2"	56	68	60
SGH3	3"	56	69	60
SGH4	4"	58	71	36
SGH5	5"	59	73	36
SGH6	6"	60	74	24

STEEL G. HOOK (OVEL CHAPLA) (L)

CODE	SIZE IN INCH	SS FINISH	ANTIQUE	PCS.PER BOX
SGH7	2"	42	51	60
SGH8	2.1/2"	42	52	60
SGH9	3"	43	53	60
SGH10	4"	44	55	36
SGH11	5"	46	57	36
SGH12	6"	47	59	24

STEEL DOOR STOPPER

CODE	SIZE IN INCH	SS FINISH	PCS.PER BOX
SDS1	Square (Single)	68	24
SDS2	Square (Double)	124	12
SDS3	Round (Single)	42	24
SDS4	Round (Double)	84	12

SL BRACKET (STEEL)

CODE	SIZE IN INCH	SS FINISH	ANTIQUE	PCS.PER BOX
SLB1	6"	276	360	3 Pair
SLB2	8"	310	395	3 Pair
SLB3	10"	345	429	3 Pair
SLB4	12"	379	463	3 Pair